

ILLUSTRATED PARTS LIST

FOR **SINGER®**

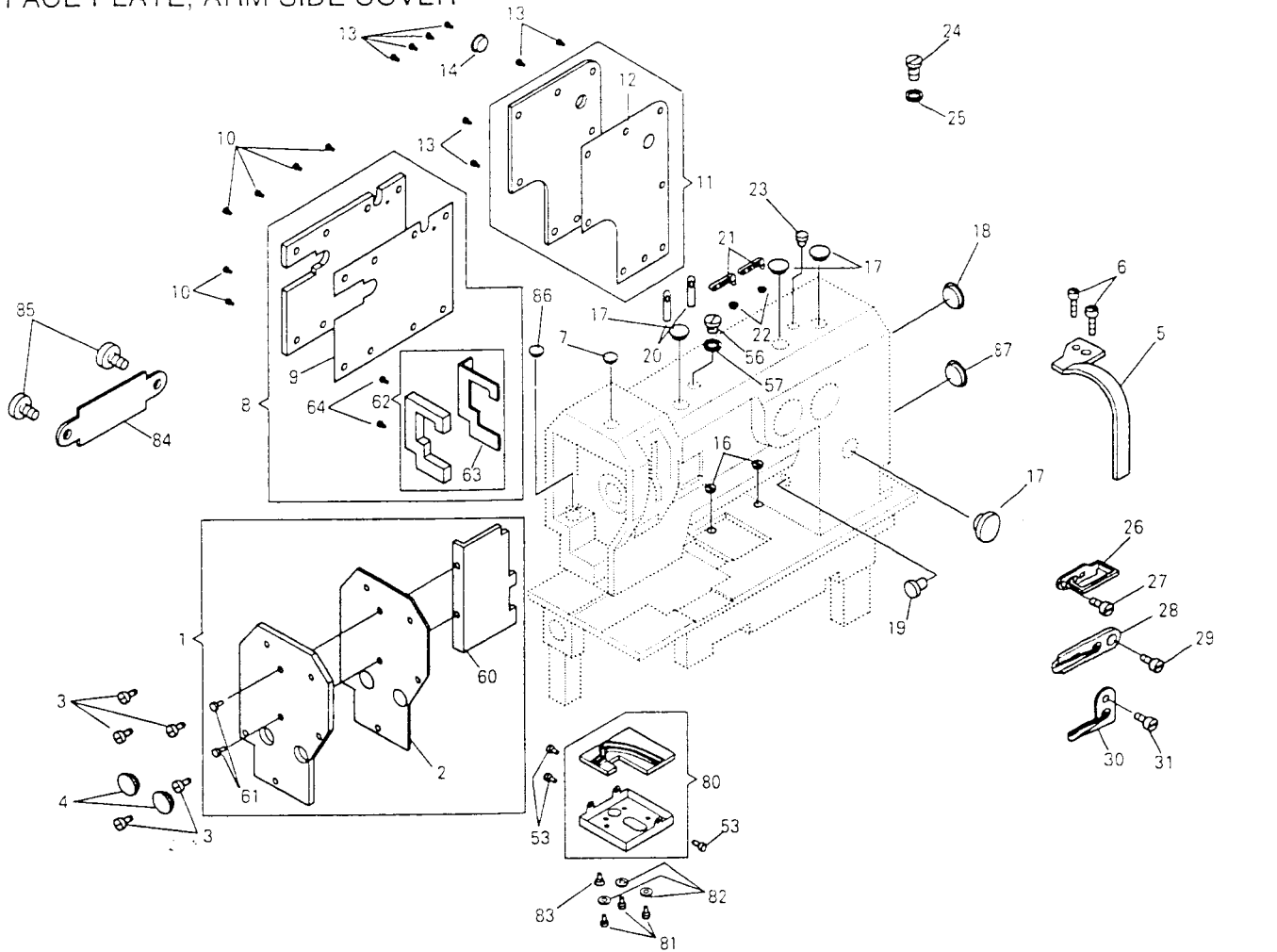
MACHINES

412U 141A
141B
141G
541A
541B
541G

CONTENTS

| | |
|--|----|
| FACE PLATE, ARM SIDE COVER | 1 |
| TAKE-UP LEVER, ARM SHAFT, MACHINE PULLEY | 2 |
| NEEDLE BAR, NEEDLE BAR ROCK FRAME | 3 |
| PRESSER FOOT, PRESSER BAR, PRESSER BAR LIFTER | 4 |
| FEED MECHANISM (FEED ROCK SHAFT DRIVING FRAME) | 5 |
| FEED REGULATING DIAL, FEED REVERSE LEVER | 6 |
| FEED BAR, FEED DRIVING ROCK SHAFT | 7 |
| HOOK DRIVING SHAFT,HOOK DRIVING SHAFT CONNECTION BELT PULLEY | 8 |
| HOOK SADDLE (RIGHT), HOOK | 9 |
| HOOK SADDLE (LEFT), HOOK | 11 |
| LUBRICATION (PLUNGER PUMP) | 13 |
| LUBRICATION (OIL RESERVOIR) | 14 |
| LUBRICATION (BED AREA) | 15 |
| TENSION | 16 |
| BOBBIN WINDER | 17 |
| THREAD TRIMMER 1 | 18 |
| THREAD TRIMMER 2 | 19 |
| TENSION RELEASING | 20 |
| BACK TACK MECHANISM | 21 |
| BACK TACK SWITCH | 22 |
| WIPER | 23 |
| GAUGE PARTS | 24 |
| ACCESSORIES AND ATTACHMENTS 1 | 25 |
| ACCESSORIES AND ATTACHMENTS 2 | 26 |
| ACCESSORIES AND ATTACHMENTS 3 | 27 |
| PARTS AVAILABLE AT EXTRA CHARGE | 28 |

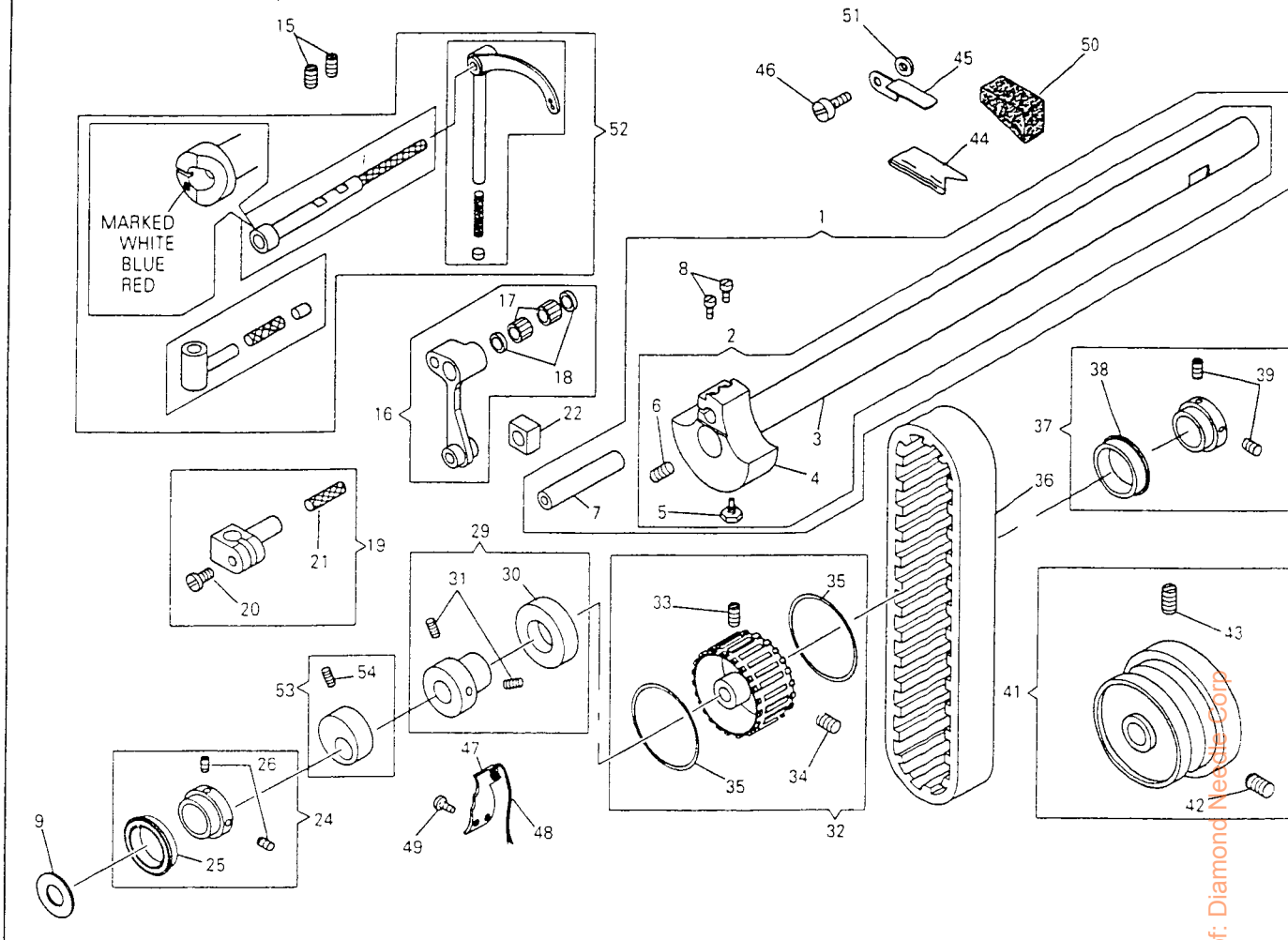
FACE PLATE, ARM SIDE COVER



| NO | PART NO. | 141A | 141B | 141G | 541A | 541B | 541G | Y | Q | DESCRIPTION |
|----|------------|------|------|------|------|------|------|---|---|--|
| 1 | 552866-467 | * | - | - | - | - | - | 1 | | FACE PLATE AND FACE PLATE PACKING COMP. |
| 1 | 554490-467 | - | * | * | - | * | * | 1 | | FACE PLATE AND FACE PLATE PACKING COMP. |
| 2 | 554309 | * | * | * | * | * | * | 1 | | FACE PLATE PACKING |
| 3 | 544217-052 | * | * | * | * | * | * | 5 | | FACE PLATE SCREW |
| 4 | 368063 | * | * | * | * | * | * | 2 | | FACE PLATE PLUG |
| 5 | 552410-467 | - | - | - | - | - | - | 1 | | TAKE-UP LEVER GUARD |
| 5 | 552823-467 | - | - | - | - | - | - | 1 | | TAKE-UP LEVER GUARD |
| 6 | 544217-052 | * | * | * | * | * | * | 2 | | TAKE-UP LEVER GUARD SCREW |
| 7 | 418384-452 | * | * | * | * | * | * | 1 | | ARM HOLE PLUG (NEEDLE BAR HOLE) |
| 8 | 554450 | * | * | * | * | * | * | 1 | | ARM SIDE COVER (SMALL) AND ARM SIDE COVER (SMALL) GASKET COMP. |
| 9 | 554308 | * | * | * | * | * | * | 1 | | ARM SIDE COVER (SMALL) GASKET |
| 10 | 544217-052 | * | * | * | * | * | * | 6 | | ARM SIDE COVER (SMALL) SCREW |
| 11 | 552867 | * | * | * | * | * | * | 1 | | ARM SIDE COVER (LARGE) AND ARM SIDE COVER (LARGE) GASKET COMP. |
| 12 | 554310 | * | * | * | * | * | * | 1 | | ARM SIDE COVER (LARGE) PACKING |
| 13 | 544217-052 | * | * | * | * | * | * | 8 | | ARM SIDE COVER (LARGE) SCREW |
| 14 | 368063-392 | * | * | * | * | * | * | 1 | | ARM SIDE COVER (LARGE) HOLE PLUG |
| 16 | 549230 | * | * | * | * | * | * | 2 | | BED OIL HOLE PLUG |
| 17 | 544875-392 | * | * | * | * | * | * | 4 | | ARM HOLE PLUG |
| 18 | 552835 | * | * | * | * | * | * | 1 | | ARM HOLE PLUG (BACK) |
| 19 | 508283 | * | * | * | * | * | * | 1 | | ARM HOLE PLUG (FEED REVERSE LEVER HINGE STUD HOLE) |
| 20 | 508562 | * | * | * | * | * | * | 2 | | THREAD GUIDE STUD |
| 21 | 411092 | * | * | * | * | * | * | 2 | | THREAD RETAINER (4-HOLES) |
| 22 | 541180 | * | * | * | * | * | * | 2 | | THREAD RETAINER (4-HOLES) NUT |
| 23 | 375014-452 | * | * | * | * | * | * | 1 | | ARM HOLE PLUG (SMALL) |
| 24 | 544212-003 | * | * | * | * | * | * | 1 | | EARTH WIRE SCREW |
| 25 | 543803-003 | * | * | * | * | * | * | 1 | | EARTH WIRE SCREW WASHER |
| 26 | 552415 | * | * | * | * | * | * | 1 | | THREAD GUIDE (UPPER) |
| 27 | 544347 | * | * | * | * | * | * | 1 | | THREAD GUIDE (UPPER) SCREW |
| 28 | 267316 | * | * | * | * | * | * | 1 | | THREAD GUIDE (MIDDLE) |
| 29 | 544347 | * | * | * | * | * | * | 1 | | THREAD GUIDE (MIDDLE) SCREW |
| 30 | 224040 | * | * | * | * | * | * | 1 | | THREAD GUIDE (LOWER) |
| 31 | 544347 | * | * | * | * | * | * | 1 | | THREAD GUIDE (LOWER) SCREW |

| NO | PART NO. | 141A | 141B | 141G | 541A | 541B | 541G | Y | Q | DESCRIPTION |
|----|------------|------|------|------|------|------|------|---|---|---|
| 53 | 544217-051 | * | * | * | * | * | * | 3 | | NEEDLE BAR ROCK FRAME COVER SCREW |
| 56 | 545036 | * | * | * | * | * | * | 1 | | TAKE-UP LEVER OIL HOLE CAP SCREW |
| 57 | 545754 | * | * | * | * | * | * | 1 | | TAKE-UP LEVER OIL HOLE CAP SCREW PACKING |
| 60 | 554492 | - | * | * | - | * | * | 1 | | FACE PLATE OIL GUARD |
| 61 | 544211-002 | - | * | * | - | * | * | 2 | | FACE PLATE OIL GUARD SCREW |
| 62 | 554451 | * | * | * | * | * | * | 1 | | ARM SIDE COVER (SMALL) OIL GUARD COMP. |
| 63 | 554686 | * | * | * | * | * | * | 1 | | ARM SIDE COVER (SMALL) OIL GUARD OIL SEAL |
| 64 | 544211-002 | * | * | * | * | * | * | 2 | | ARM SIDE COVER (SMALL) OIL GUARD SCREW |
| 80 | 554876 | * | * | * | * | * | * | 1 | | NEEDLE BAR ROCK FRAME COVER PACKING COMP. |
| 81 | 374497-001 | * | * | * | * | * | * | 3 | | NEEDLE BAR ROCK FRAME COVER SCREW |
| 82 | 548054 | * | * | * | * | * | * | 3 | | NEEDLE BAR ROCK FRAME COVER SCREW WASHER |
| 83 | 374583-002 | * | * | * | * | * | * | 1 | | NEEDLE BAR ROCK FRAME COVER SCREW |
| 84 | 554640 | * | - | - | - | - | - | 1 | | ARM SIDE COVER |
| 85 | 544217-052 | * | - | - | - | - | - | 2 | | ARM SIDE COVER SCREW |
| 86 | 418384-452 | * | - | - | - | - | - | 1 | | ARM HOLE PLUG |
| 87 | 502760 | * | * | * | * | * | * | 1 | | ARM HOLE PLUG (FEED REGULATOR SHAFT HOLE) |

TAKE-UP LEVER, ARM SHAFT, MACHINE PULLEY

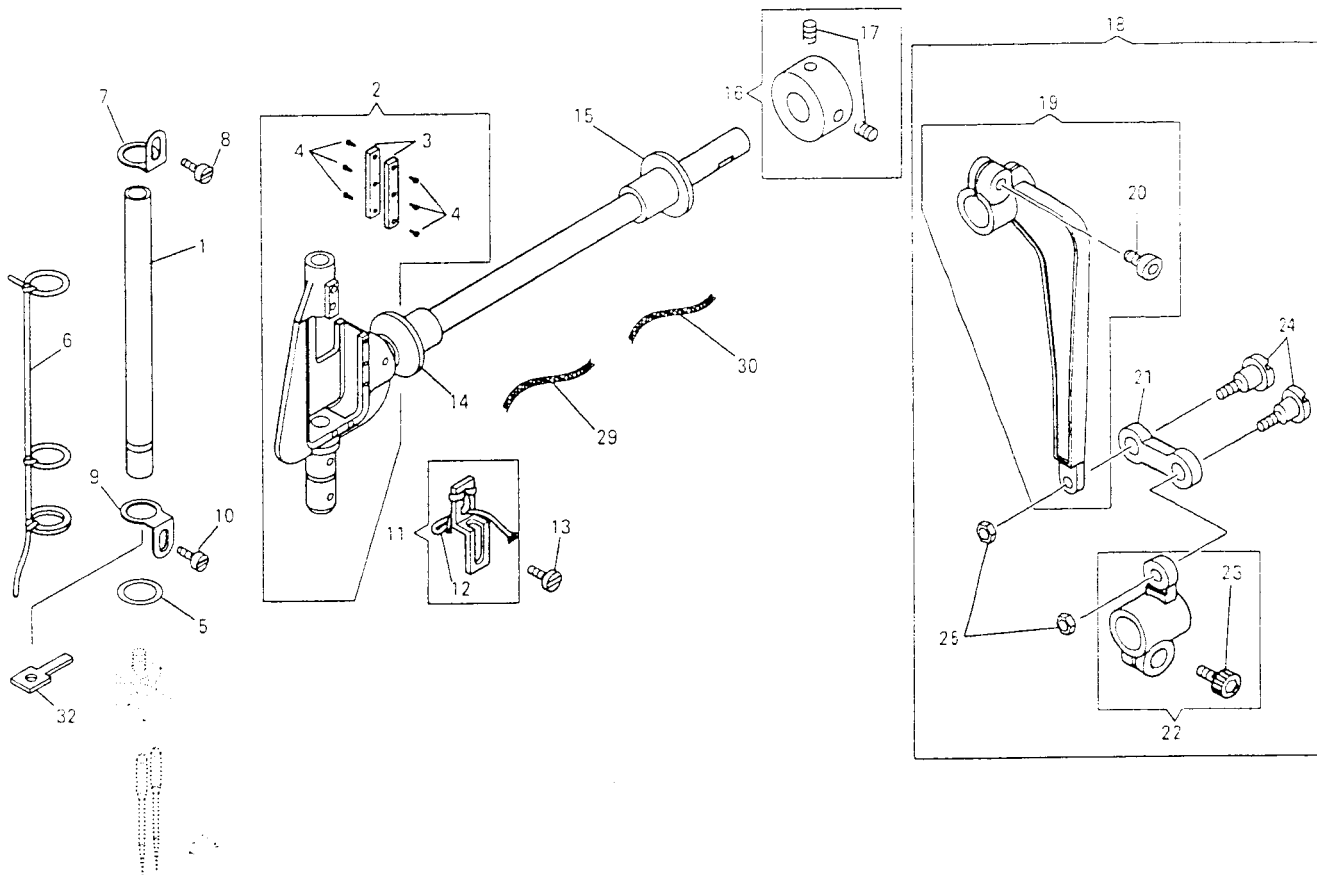


| NO | PART NO. | 141A | 141B | 141G | 541A | 541B | 541G | T | Q | DESCRIPTION |
|----|------------|------|------|------|------|------|------|---|---|---|
| 1 | 554811 | * | * | * | - | - | - | 1 | 1 | ARM SHAFT, NEEDLE BAR CONNECTING LINK STUD COMP |
| 1 | 554814 | - | - | - | * | * | * | 1 | 1 | ARM SHAFT, NEEDLE BAR CONNECTING LINK STUD COMP |
| 2 | 554812 | * | * | * | - | - | - | 1 | 1 | ARM SHAFT NEEDLE BAR CRANK COMP. |
| 2 | 554815 | - | - | - | * | * | * | 1 | 1 | ARM SHAFT NEEDLE BAR CRANK COMP. |
| 3 | 554323 | * | * | * | * | * | * | 1 | 1 | ARM SHAFT |
| 4 | 554813 | * | * | * | - | - | - | 1 | 1 | NEEDLE BAR CRANK |
| 4 | 554816 | - | - | - | * | * | * | 1 | 1 | NEEDLE BAR CRANK |
| 5 | 374100 | * | * | * | * | * | * | 1 | 1 | NEEDLE BAR CRANK POSITION SCREW |
| 6 | 504095 | * | * | * | * | * | * | 1 | 1 | NEEDLE BAR CRANK SET SCREW |
| 7 | 554693 | * | * | * | * | * | * | 1 | 1 | NEEDLE BAR CONNECTING LINK STUD |
| 8 | 544448 | * | * | * | * | * | * | 2 | 2 | NEEDLE BAR CONNECTING LINK STUD SET SCREW |
| 9 | 554325 | * | * | * | * | * | * | 1 | 1 | NEEDLE BAR CRANK FRICTION WASHER |
| 15 | 544209-006 | * | * | * | * | * | * | 2 | 2 | TAKE-UP LEVER HINGE STUD SET SCREW |
| 16 | 554327 | * | * | * | * | * | * | 1 | 1 | NEEDLE BAR CONNECTING LINK COMP. |
| 17 | 502964 | * | * | * | * | * | * | 2 | 2 | NEEDLE BAR CONNECTING LINK BEARING |
| 18 | 554329 | * | * | * | * | * | * | 2 | 2 | NEEDLE BAR CONNECTING LINK BEARING RETAINING RING |
| 19 | 552428 | * | * | * | * | * | * | 1 | 1 | NEEDLE BAR CONNECTING STUD COMP. |
| 20 | 545071 | * | * | * | * | * | * | 1 | 1 | NEEDLE BAR CONNECTING STUD PINCH SCREW |
| 21 | 202330 | * | * | * | * | * | * | 1 | 1 | NEEDLE BAR CONNECTING STUD OIL WICK |
| 22 | 552429 | * | * | * | * | * | * | 1 | 1 | NEEDLE BAR CONNECTING STUD SLIDE BLOCK |
| 24 | 554334 | * | * | * | * | * | * | 1 | 1 | ARM SHAFT BALL BEARING (FRONT) COMP |
| 25 | 554335 | * | * | * | * | * | * | 1 | 1 | ARM SHAFT BALL BEARING (FRONT) |
| 26 | 544209-005 | * | * | * | * | * | * | 2 | 2 | ARM SHAFT BALL BEARING INSIDE COLLAR SET SCREW |
| 29 | 554651 | * | * | * | * | * | * | 1 | 1 | ARM SHAFT BALL BEARING (MIDDLE) COMP |
| 30 | 554635 | * | * | * | * | * | * | 1 | 1 | ARM SHAFT BALL BEARING (MIDDLE) |
| 31 | 544207-012 | * | * | * | * | * | * | 2 | 2 | ARM SHAFT BALL BEARING INSIDE COLLAR SET SCREW |
| 32 | 554336 | * | * | * | * | * | * | 1 | 1 | ARM SHAFT CONNECTION BELT PULLEY COMP. |

| NO. | PART NO. | 141A | 141B | 141G | 541A | 541B | 541G | T | Q | DESCRIPTION |
|-----|------------|------|------|------|------|------|------|---|---|---|
| 33 | 544322 | * | * | * | * | * | * | 1 | 1 | ARM SHAFT CONNECTION BELT PULLEY SET SCREW |
| 34 | 544330 | * | * | * | * | * | * | 1 | 1 | ARM SHAFT CONNECTION BELT PULLEY POSITION SCREW |
| 35 | 202253 | * | * | * | * | * | * | 2 | 2 | ARM SHAFT CONNECTION BELT PULLEY SPRING FLANGE |
| 36 | 267161 | * | * | * | * | * | * | 1 | 1 | ARM SHAFT CONNECTION BELT |
| 37 | 554783 | * | * | * | * | * | * | 1 | 1 | ARM SHAFT BALL BEARING (BACK) COMP |
| 38 | 554784 | * | * | * | * | * | * | 1 | 1 | ARM SHAFT BALL BEARING (BACK) |
| 39 | 544209-005 | * | * | * | * | * | * | 2 | 2 | ARM SHAFT BALL BEARING INSIDE COLLAR SET SCREW |
| 41 | 554656-383 | * | * | * | * | * | * | 1 | 1 | MACHINE PULLEY COMP. |
| 42 | 141566 | * | * | * | * | * | * | 1 | 1 | MACHINE PULLEY POSITION SCREW |
| 43 | 141567-833 | * | * | * | * | * | * | 1 | 1 | MACHINE PULLEY SET SCREW |
| 44 | 552899 | * | * | * | * | * | * | 1 | 1 | TAKE-UP LEVER OIL FELT |
| 45 | 552898 | * | * | * | * | * | * | 1 | 1 | TAKE-UP LEVER OIL FELT RETAINER |
| 46 | 414508 | * | - | - | - | - | - | 1 | 1 | TAKE-UP LEVER OIL FELT RETAINER SCREW |
| 47 | 554341 | * | * | * | * | * | * | 1 | 1 | TAKE-UP LEVER OIL GUARD |
| 48 | 554342 | * | * | * | * | * | * | 1 | 1 | TAKE-UP LEVER OIL GUARD OIL WICK |
| 49 | 545114 | * | * | * | * | * | * | 1 | 1 | TAKE-UP LEVER OIL GUARD SCREW |
| 50 | 554720 | * | * | * | * | * | * | 1 | 1 | TAKE-UP LEVER OIL FELT PAD |
| 51 | 548480 | * | - | - | - | - | - | 1 | 1 | TAKE-UP LEVER OIL FELT RETAINER SPACER |
| 52 | 554878-000 | * | * | * | - | - | - | 1 | 1 | TAKE-UP LEVER, TAKE-UP LEVER DRIVING STUD, TAKE-UP LEVER HINGE STUD COMP. |
| 52 | 554879-000 | - | - | - | * | * | * | 1 | 1 | -001 (MARKED WHITE) -002 (MARKED BLUE) -003 (MARKED RED) TAKE-UP LEVER, TAKE-UP LEVER DRIVING STUD, TAKE-UP LEVER HINGE STUD COMP. |
| 52 | 554597 | - | - | - | * | * | * | 1 | 1 | -001 (MARKED WHITE) -002 (MARKED BLUE) -003 (MARKED RED) ARM SHAFT BALANCER COMP. |
| 54 | 544209-006 | - | - | - | * | * | * | 1 | 1 | ARM SHAFT BALANCER SET SCREW |

From the library of: Diamond Needle Corp

NEEDLE BAR, NEEDLE BAR ROCK FRAME

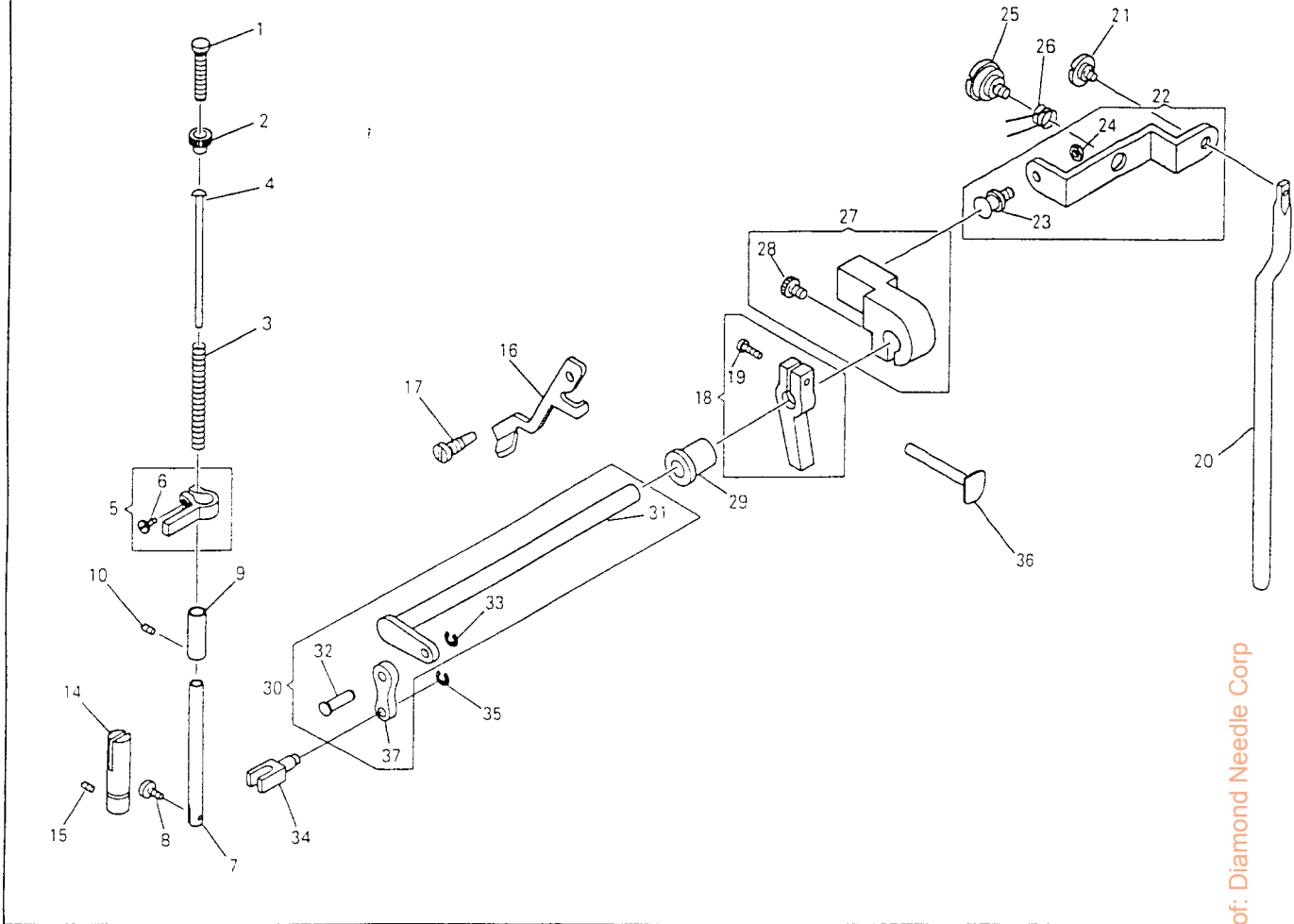


| QTY | PART NO. | MODEL | | | | | DESCRIPTION |
|-----|------------|-------|------|------|------|------|---|
| | | 141A | 141B | 141G | 541A | 541B | |
| 1 | 412175 | * | * | * | * | * | NEEDLE BAR |
| 1 | 552435 | * | * | * | * | * | NEEDLE BAR ROCK FRAME COMP. |
| 2 | 554358 | * | * | * | * | * | NEEDLE BAR ROCK FRAME WEAR PLATE |
| 6 | 544377 | * | * | * | * | * | NEEDLE BAR ROCK FRAME WEAR PLATE SCREW |
| 1 | 543871-012 | * | * | * | * | * | NEEDLE BAR OIL GUARD |
| 1 | 554862 | * | * | * | * | * | NEEDLE BAR OIL WICK |
| 1 | 552440 | * | * | * | * | * | NEEDLE BAR OIL WICK RETAINER (UPPER) |
| 1 | 544376 | * | * | * | * | * | NEEDLE BAR OIL WICK RETAINER (UPPER) SCREW |
| 1 | 554531 | * | * | * | * | * | NEEDLE BAR OIL WICK RETAINER (LOWER) |
| 1 | 544376 | * | * | * | * | * | NEEDLE BAR OIL WICK RETAINER (LOWER) SCREW |
| 1 | 554343 | * | * | * | * | * | NEEDLE BAR CONNECTING LINK OIL WICK RETAINER COMP. |
| 1 | 554344 | * | * | * | * | * | NEEDLE BAR CONNECTING LINK OIL WICK |
| 1 | 544376 | * | * | * | * | * | NEEDLE BAR CONNECTING LINK OIL WICK RETAINER SCREW |
| 1 | 554635 | * | * | * | * | * | NEEDLE BAR ROCK FRAME ROCK SHAFT BUSHING (FRONT) |
| 1 | 554636 | * | * | * | * | * | NEEDLE BAR ROCK FRAME ROCK SHAFT BUSHING (BACK) |
| 1 | 552443 | * | * | * | * | * | NEEDLE BAR ROCK FRAME ROCK SHAFT COLLAR COMP. |
| 2 | 544204-001 | * | * | * | * | * | NEEDLE BAR ROCK FRAME ROCK SHAFT COLLAR SCREW |
| 1 | 554637 | * | * | * | * | * | NEEDLE BAR ROCK FRAME ROCK SHAFT CONNECTION, CRANK AND LINK COMP. |
| 1 | 554638 | * | * | * | * | * | NEEDLE BAR ROCK FRAME ROCK SHAFT CONNECTION COMP. |

| QTY | PART NO. | MODEL | | | | | DESCRIPTION |
|-----|------------|-------|------|------|------|------|---|
| | | 141A | 141B | 141G | 541A | 541B | |
| 1 | 374108-009 | * | * | * | * | * | NEEDLE BAR ROCK FRAME ROCK SHAFT CONNECTION PINCH SCREW |
| 1 | 552448 | * | * | * | * | * | NEEDLE BAR ROCK FRAME ROCK SHAFT CRANK LINK |
| 1 | 552449 | * | * | * | * | * | NEEDLE BAR ROCK FRAME ROCK SHAFT CRANK COMP. |
| 1 | 374108-009 | * | * | * | * | * | NEEDLE BAR ROCK FRAME ROCK SHAFT CRANK PINCH SCREW |
| 2 | 374547 | * | * | * | * | * | NEEDLE BAR ROCK FRAME ROCK SHAFT CRANK LINK HINGE SCREW |
| 2 | 541168-003 | * | * | * | * | * | NEEDLE BAR ROCK FRAME ROCK SHAFT CRANK LINK HINGE SCREW NUT |
| 1 | 554465-002 | * | * | * | * | * | NEEDLE BAR ROCK FRAME ROCK SHAFT BUSHING (FRONT) OIL WICK |
| 1 | 554466-003 | * | * | * | * | * | NEEDLE BAR ROCK FRAME ROCK SHAFT BUSHING (BACK) OIL WICK |
| 1 | 554858 | * | * | * | * | * | NEEDLE BAR ROCK FRAME FELT |

From the library of: Diamond Needle Corp

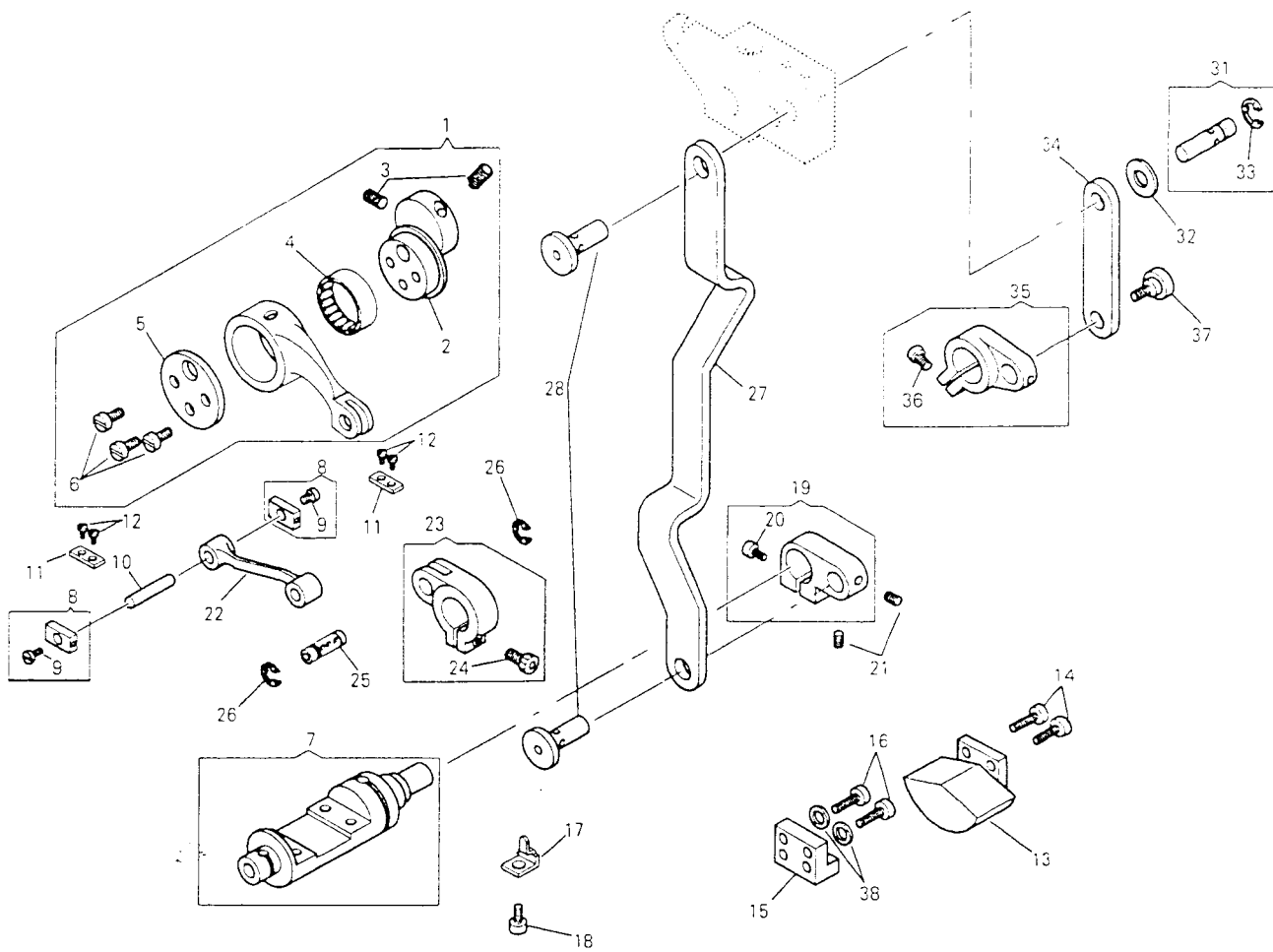
PRESSER FOOT, PRESSER BAR, PRESSER BAR LIFTER



| NO | PART NO. | 141A | 141B | 141G | 541A | 541B | 541G | Y | T | Q | DESCRIPTION |
|----|------------|------|------|------|------|------|------|---|---|---|---|
| | | * | * | * | * | * | * | | | | |
| 1 | 552859 | * | * | * | * | * | * | | | 1 | PRESSURE REGULATING SCREW |
| 2 | 376424-383 | * | * | * | * | * | * | | | 1 | PRESSURE REGULATING SCREW LOCK NUT |
| 3 | 552454 | * | * | * | * | * | * | | | 1 | PRESSER BAR SPRING |
| 4 | 552455 | * | * | * | * | * | * | | | 1 | PRESSURE REGULATING SCREW |
| 5 | 552452 | * | * | * | * | * | * | | | 1 | GUIDE ROD PRESSER BAR POSITION GUIDE LEVER COMP. |
| 6 | 545295 | * | * | * | * | * | * | | | 1 | PRESSER BAR POSITION GUIDE LEVER PINCH SCREW |
| 7 | 552451 | * | * | * | * | * | * | | | 1 | PRESSER BAR |
| 8 | 500256 | * | * | * | * | * | * | | | 1 | PRESSER FOOT SCREW |
| 9 | 554407 | * | * | * | * | * | * | | | 1 | PRESSER BAR BUSHING |
| 10 | 544205-002 | * | * | * | * | * | * | | | 1 | PRESSER BAR BUSHING SET SCREW |
| 14 | 202337 | * | * | * | * | * | * | | | 1 | PRESSER BAR POSITION GUIDE |
| 15 | 544205-002 | * | * | * | * | * | * | | | 1 | PRESSER BAR POSITION GUIDE SET SCREW |
| 16 | 552456 | * | * | * | * | * | * | | | 1 | PRESSER BAR LIFTER |
| 17 | 374541 | * | * | * | * | * | * | | | 1 | PRESSER BAR LIFTER HINGE SCREW |
| 18 | 552457 | * | * | * | * | * | * | | | 1 | PRESSER BAR LIFTER ARM COMP. |
| 19 | 374108-001 | * | * | * | * | * | * | | | 1 | PRESSER BAR LIFTER ARM PINCH SCREW |
| 20 | 552459 | * | * | * | * | * | * | | | 1 | KNEE LIFTER ROCK LEVER LIFTING ROD |
| 21 | 545356 | * | * | * | * | * | * | | | 1 | KNEE LIFTER ROCK LEVER LIFTING ROD SCREW |
| 22 | 552460 | * | * | * | * | * | * | | | 1 | KNEE LIFTER ROCK LEVER COMP. |
| 23 | 552462 | * | * | * | * | * | * | | | 1 | KNEE LIFTER ROCK LEVER BALL STUD |
| 24 | 541166-001 | * | * | * | * | * | * | | | 1 | KNEE LIFTER ROCK LEVER BALL STUD LOCK NUT |
| 25 | 374559 | * | * | * | * | * | * | | | 1 | KNEE LIFTER ROCK LEVER SCREW |
| 26 | 417113 | * | * | * | * | * | * | | | 1 | KNEE LIFTER ROCK LEVER SPRING |
| 27 | 552464 | * | * | * | * | * | * | | | 1 | KNEE LIFTER SHAFT DRIVING ARM COMP. |
| 28 | 374108-009 | * | * | * | * | * | * | | | 1 | KNEE LIFTER SHAFT DRIVING ARM PINCH SCREW |
| 29 | 552466 | * | * | * | * | * | * | | | 1 | KNEE LIFTER SHAFT BUSHING |

| NO | PART NO. | 141A | 141B | 141G | 541A | 541B | 541G | Y | T | Q | DESCRIPTION |
|----|------------|------|------|------|------|------|------|---|---|---|--|
| | | * | * | * | * | * | * | | | | |
| 30 | 552467 | * | * | * | * | * | * | | | 1 | KNEE LIFTER SHAFT LINK COMP. |
| 31 | 552468 | * | * | * | * | * | * | | | 1 | KNEE LIFTER SHAFT |
| 32 | 552472 | * | * | * | * | * | * | | | 1 | KNEE LIFTER SHAFT LINK PIN |
| 33 | 543860-005 | * | * | * | * | * | * | | | 1 | KNEE LIFTER SHAFT LINK PIN SNAP RING |
| 34 | 552473 | * | * | * | * | * | * | | | 1 | KNEE LIFTER SHAFT LINK BLOCK |
| 35 | 543860-005 | * | * | * | * | * | * | | | 1 | KNEE LIFTER SHAFT LINK BLOCK SNAP RING |
| 36 | 552474 | * | * | * | * | * | * | | | 1 | TENSION RELEASE LEVER ROD COMP. |
| 37 | 552471 | * | * | * | * | * | * | | | 1 | KNEE LIFTER SHAFT LINK |

FEED MECHANISM (FEED ROCK SHAFT DRIVING FRAME)

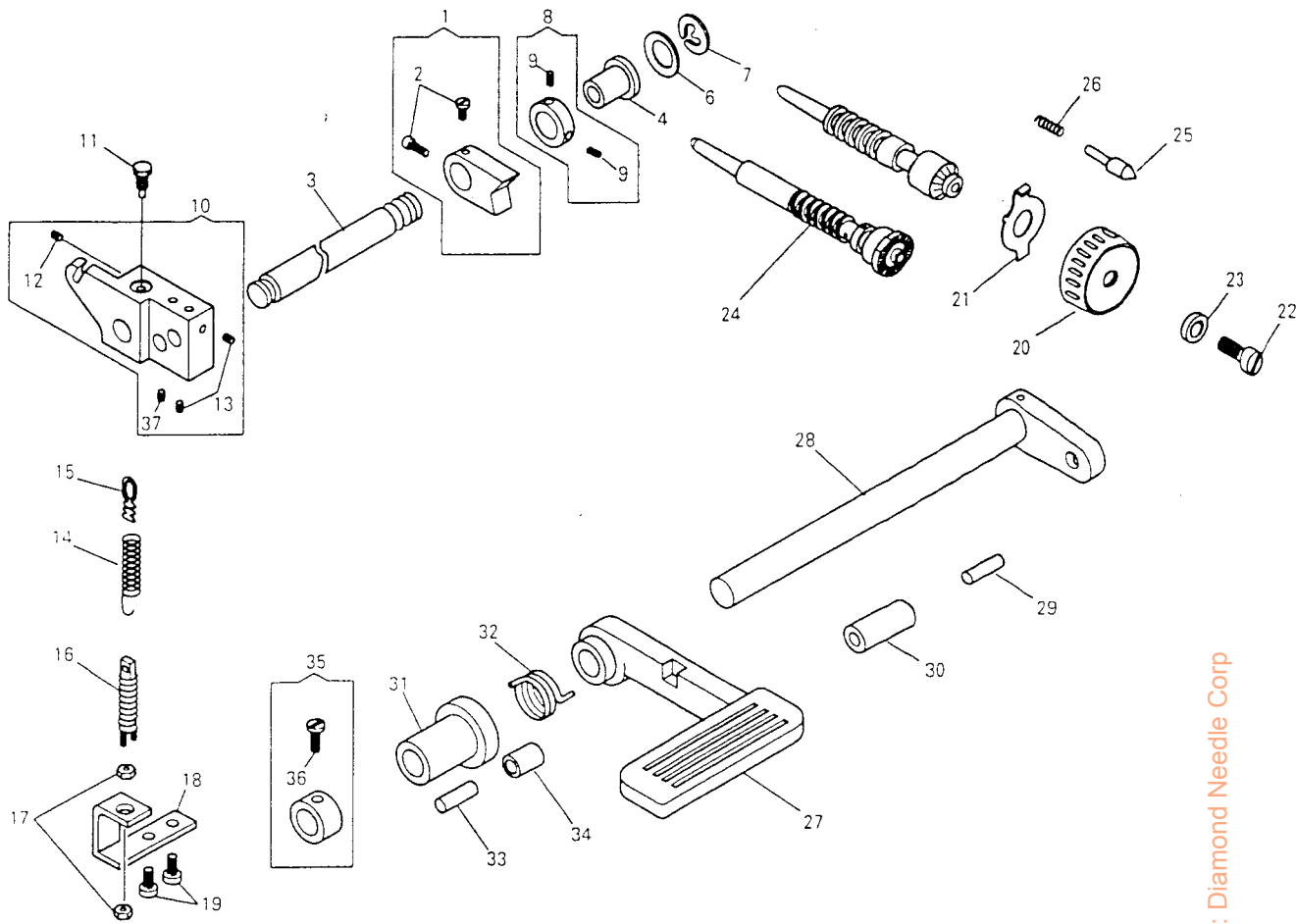


From the library of: Diamond Needle Corp

| NO. | PART NO. | 141A | 141B | 141G | 541A | 541B | 541G | Y | T | Q | DESCRIPTION |
|-----|------------|------|------|------|------|------|------|---|---|---|--|
| 1 | 552477 | * | * | * | * | * | * | 1 | | | FEED DRIVING ECCENTRIC AND FEED DRIVING ECCENTRIC CONNECTION COMP. |
| 2 | 552478 | * | * | * | * | * | * | 1 | | | FEED DRIVING ECCENTRIC |
| 3 | 544209-005 | * | * | * | * | * | * | 2 | | | FEED DRIVING ECCENTRIC SET SCREW |
| 4 | 552479 | * | * | * | * | * | * | 1 | | | FEED DRIVING ECCENTRIC CONNECTION BEARING |
| 5 | 552481 | * | * | * | * | * | * | 1 | | | FEED DRIVING ECCENTRIC CONNECTION BEARING RETAINING PLATE |
| 6 | 544212-051 | * | * | * | * | * | * | 3 | | | FEED DRIVING ECCENTRIC CONNECTION BEARING RETAINING PLATE SCREW |
| 7 | 552482 | * | * | * | * | * | * | 1 | | | FEED ROCK SHAFT DRIVING FRAME COMP. |
| 8 | 552484 | * | * | * | * | * | * | 2 | | | FEED ROCK SHAFT DRIVING SLIDE BLOCK COMP. |
| 9 | 549166 | * | * | * | * | * | * | 2 | | | FEED ROCK SHAFT DRIVING SLIDE BLOCK SCREW |
| 10 | 552485 | * | * | * | * | * | * | 1 | | | FEED ROCK SHAFT DRIVING SLIDE BLOCK STUD |
| 11 | 552486 | * | * | * | * | * | * | 2 | | | FEED ROCK SHAFT DRIVING SLIDE BLOCK GUIDE PLATE |
| 12 | 544212-053 | * | * | * | * | * | * | 4 | | | FEED ROCK SHAFT DRIVING SLIDE BLOCK GUIDE PLATE SCREW |
| 13 | 554493 | * | * | * | * | * | * | 1 | | | FEED ROCK SHAFT DRIVING FRAME BALANCE WEIGHT |
| 14 | 374106-006 | * | * | * | * | * | * | 2 | | | FEED ROCK SHAFT DRIVING FRAME BALANCE WEIGHT SCREW |
| 15 | 554494 | * | * | * | * | * | * | 1 | | | FEED ROCK SHAFT DRIVING FRAME BALANCE WEIGHT BRACKET |
| 16 | 374107-003 | * | * | * | * | * | * | 2 | | | FEED ROCK SHAFT DRIVING FRAME BALANCE WEIGHT BRACKET SCREW |
| 17 | 552487 | * | * | * | * | * | * | 1 | | | FEED ROCK SHAFT DRIVING FRAME SUPPORT PLATE |
| 18 | 544213-051 | * | * | * | * | * | * | 1 | | | FEED ROCK SHAFT DRIVING FRAME SUPPORT PLATE SCREW |

| NO. | PART NO. | 141A | 141B | 141G | 541A | 541B | 541G | Y | T | Q | DESCRIPTION |
|-----|------------|------|------|------|------|------|------|---|---|---|--|
| 19 | 554798 | * | * | * | * | * | * | 1 | | | FEED ROCK SHAFT DRIVING FRAME LEVER COMP. |
| 20 | 374107-004 | * | * | * | * | * | * | 1 | | | FEED ROCK SHAFT DRIVING FRAME LEVER PINCH SCREW |
| 21 | 544208-005 | * | * | * | * | * | * | 2 | | | FEED ROCK SHAFT DRIVING FRAME LEVER STUD SET SCREW |
| 22 | 552490 | * | * | * | * | * | * | 1 | | | FEED ROCK SHAFT DRIVING LINK |
| 23 | 554680 | * | * | * | * | * | * | 1 | | | FEED ROCK SHAFT CRANK COMP. |
| 24 | 374107-004 | * | * | * | * | * | * | 1 | | | FEED ROCK SHAFT CRANK PINCH SCREW |
| 25 | 552493 | * | * | * | * | * | * | 1 | | | FEED ROCK SHAFT CRANK PIN |
| 26 | 543801-006 | * | * | * | * | * | * | 2 | | | FEED ROCK SHAFT CRANK PIN SNAP RING |
| 27 | 554756 | * | * | * | * | * | * | 1 | | | FEED REGULATING LINK |
| 28 | 554797 | * | * | * | * | * | * | 2 | | | FEED REGULATING LINK STUD |
| 31 | 554785 | * | * | * | * | * | * | 1 | | | FEED REVERSE LINK STUD COMP. |
| 32 | 412226 | * | * | * | * | * | * | 1 | | | FEED REVERSE LINK STUD THRUST WASHER |
| 33 | 543571 | * | * | * | * | * | * | 1 | | | FEED REVERSE LINK STUD SNAP RING |
| 34 | 554757 | * | * | * | * | * | * | 1 | | | FEED REVERSE LINK |
| 35 | 554754 | * | * | * | * | * | * | 1 | | | FEED REVERSE LEVER SHAFT CRANK COMP. |
| 36 | 374107-004 | * | * | * | * | * | * | 1 | | | FEED REVERSE LEVER SHAFT CRANK PINCH SCREW |
| 37 | 549288 | * | * | * | * | * | * | 1 | | | FEED REVERSE LEVER SHAFT CRANK HINGE SCREW |
| 38 | 544840 | * | * | * | * | * | * | 2 | | | FEED ROCK SHAFT DRIVING FRAME BALANCE WEIGHT BRACKET SPRING WASHER |

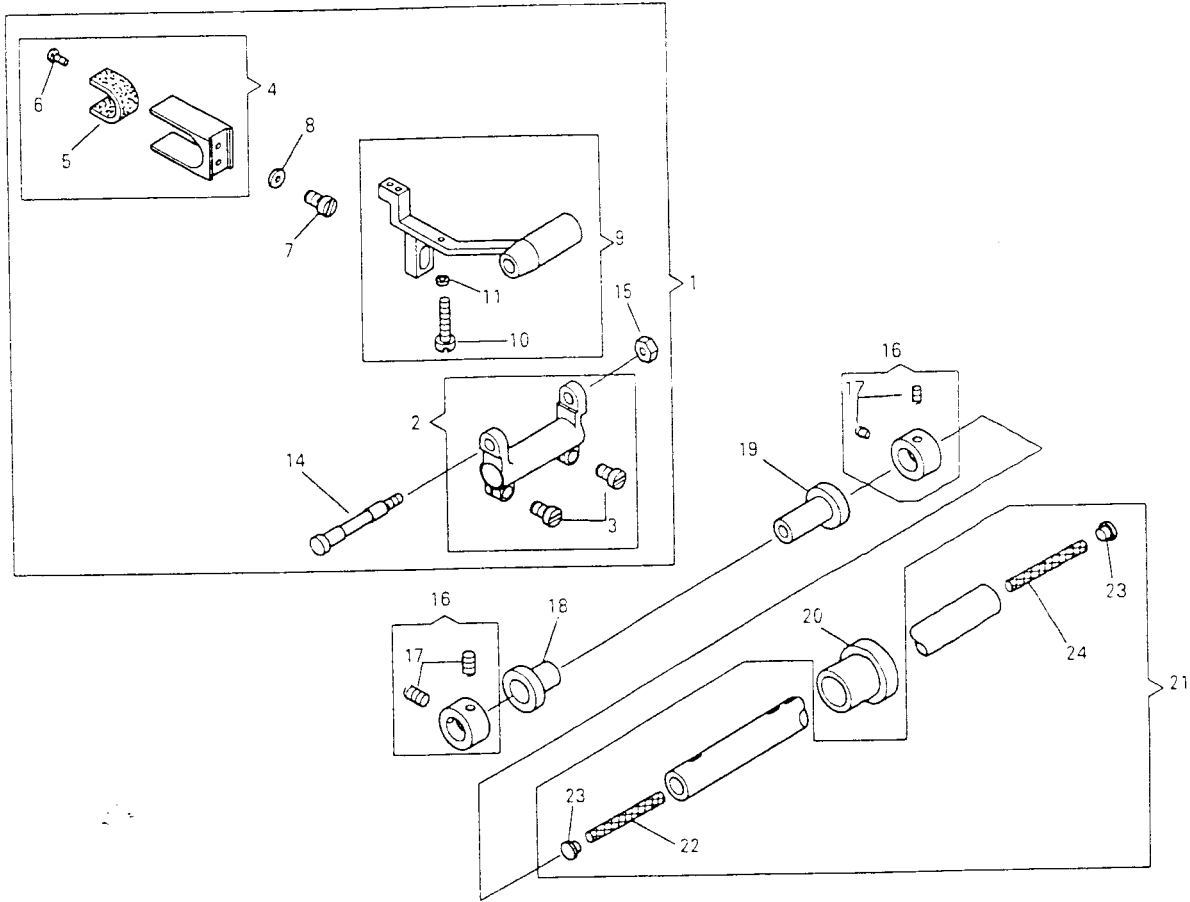
FEED REGULATING DIAL, FEED REVERSE LEVER



| NO | PART NO. | 141A | 141B | 541A | 541B | QTY | DESCRIPTION |
|----|------------|------|------|------|------|-----|---|
| 1 | 552494 | * | * | * | * | 1 | FEED REGULATOR COMP. |
| 2 | 374300 | * | * | * | * | 2 | FEED REGULATOR SCREW |
| 3 | 552496 | * | * | * | * | 1 | FEED REGULATOR SHAFT |
| 4 | 552497 | * | * | * | * | 1 | FEED REGULATOR SHAFT BUSHING |
| 6 | 418340 | * | * | * | * | 1 | FEED REGULATOR SHAFT THRUST WASHER |
| 7 | 543801-010 | * | * | * | * | 1 | FEED REGULATOR SHAFT SNAP RING |
| 8 | 552719 | * | * | * | * | 1 | FEED REGULATOR SHAFT COLLAR COMP. |
| 9 | 544207-011 | * | * | * | * | 2 | FEED REGULATOR SHAFT COLLAR SET SCREW |
| 10 | 554752 | * | * | * | * | 1 | FEED REGULATOR SHAFT ARM COMP. |
| 11 | 368108 | * | * | * | * | 1 | FEED REGULATOR SHAFT ARM POSITION SCREW |
| 12 | 544205-001 | * | * | * | * | 1 | FEED REGULATOR SHAFT ARM SET SCREW |
| 13 | 544208-005 | * | * | * | * | 2 | FEED REGULATING STUD SET SCREW |
| 14 | 554499 | * | * | * | * | 1 | FEED REGULATOR SHAFT ARM SPRING |
| 15 | 554500 | * | * | * | * | 1 | FEED REGULATOR SHAFT ARM SPRING HOOK (UPPER) |
| 16 | 554498 | * | * | * | * | 1 | FEED REGULATOR SHAFT ARM SPRING HOOK (LOWER) |
| 17 | 541166-001 | * | * | * | * | 2 | FEED REGULATOR SHAFT ARM SPRING HOOK (LOWER) LOCK NUT |
| 18 | 554501 | * | * | * | * | 1 | FEED REGULATOR SHAFT ARM SPRING HOOK RETAINER |
| 19 | 544213-053 | * | * | * | * | 2 | FEED REGULATOR SHAFT ARM SPRING HOOK RETAINER SCREW |
| 20 | 552514 | * | * | * | * | 1 | FEED REGULATING DIAL |
| 21 | 544947 | * | * | * | * | 1 | FEED REGULATING DIAL SERRATION PLATE |
| 22 | 368362 | * | * | * | * | 1 | FEED REGULATING DIAL CAP SCREW |
| 23 | 368363 | * | * | * | * | 1 | FEED REGULATING DIAL CAP SCREW WASHER |
| 24 | 552515 | * | * | * | * | 1 | FEED REGULATING STUD |
| 24 | 551455 | - | * | - | - | 1 | FEED REGULATING STUD |

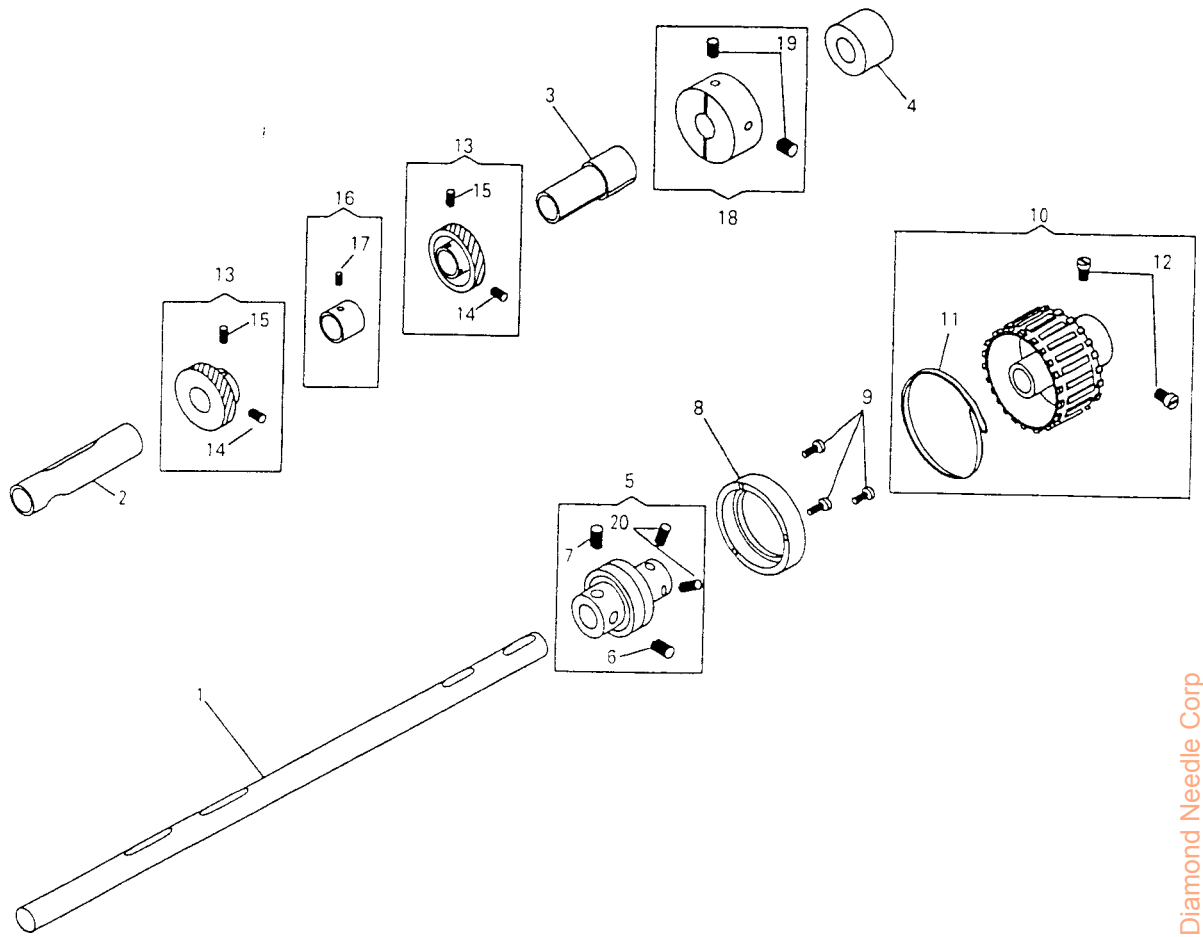
| NO | PART NO. | 141A | 141B | 541A | 541B | QTY | DESCRIPTION |
|----|------------|------|------|------|------|-----|---|
| 25 | 368114 | * | * | * | * | 1 | FEED REGULATING DIAL LOCK PIN |
| 26 | 545820 | * | * | * | * | 1 | FEED REGULATING DIAL LOCK PIN SPRING |
| 27 | 552516 | * | * | * | * | 1 | FEED REVERSE LEVER |
| 28 | 552518 | * | * | * | * | 1 | FEED REVERSE LEVER SHAFT ARM COMP. |
| 29 | 543831-001 | * | * | * | * | 1 | FEED REVERSE LEVER SHAFT ARM PIN |
| 30 | 552521 | * | * | * | * | 1 | FEED REVERSE LEVER SHAFT ARM PIN COVER |
| 31 | 368129 | * | * | * | * | 1 | FEED REVERSE LEVER SHAFT BUSHING |
| 32 | 368130 | * | * | * | * | 1 | FEED REVERSE LEVER SPRING |
| 33 | 375653 | * | * | * | * | 1 | FEED REVERSE LEVER STOPPER PIN |
| 34 | 375662 | * | * | * | * | 1 | FEED REVERSE LEVER STOPPER PIN COVER |
| 35 | 552552 | * | * | * | * | 1 | FEED REVERSE LEVER SHAFT COLLAR COMP. |
| 36 | 374062 | * | * | * | * | 1 | FEED REVERSE LEVER SHAFT COLLAR SET SCREW |
| 37 | 544208-005 | * | * | * | * | 1 | FEED REVERSE LINK STUD SET SCREW |

FEED BAR, FEED DRIVING ROCK SHAFT



| NO. | PART NO. | 141A | 141B | 141G | 541A | 541B | 541G | QTY | DESCRIPTION | NO. | PART NO. | 141A | 141B | 141G | 541A | 541B | 541G | QTY | DESCRIPTION |
|-----|------------|------|------|------|------|------|------|-----|--|-----|----------|------|------|------|------|------|------|-----|-------------|
| 1 | 412177 | * | - | - | * | - | - | 1 | FEED BAR AND FEED DRIVING ROCK FRAME COMP. | | | | | | | | | | |
| 1 | 281066 | - | * | * | - | * | * | 1 | FEED BAR AND FEED DRIVING ROCK FRAME COMP. | | | | | | | | | | |
| 2 | 412022 | * | - | - | * | - | - | 1 | FEED DRIVING ROCK FRAME COMP. | | | | | | | | | | |
| 2 | 281087 | - | * | * | - | * | * | 1 | FEED DRIVING ROCK FRAME COMP. | | | | | | | | | | |
| 3 | 545154 | * | * | * | * | * | * | 2 | FEED DRIVING ROCK FRAME PINCH SCREW | | | | | | | | | | |
| 4 | 412161 | * | * | * | * | * | * | 1 | FEED LIFTING ECCENTRIC FORK COMP. | | | | | | | | | | |
| 5 | 223655 | * | * | * | * | * | * | 1 | FEED LIFTING ECCENTRIC FORK OILING FELT | | | | | | | | | | |
| 6 | 549075 | * | * | * | * | * | * | 1 | FEED LIFTING ECCENTRIC FORK OILING FELT SCREW | | | | | | | | | | |
| 7 | 544411 | * | * | * | * | * | * | 1 | FEED LIFTING ECCENTRIC FORK SCREW | | | | | | | | | | |
| 8 | 543804-025 | * | * | * | * | * | * | 1 | FEED LIFTING ECCENTRIC FORK SCREW WASHER | | | | | | | | | | |
| 9 | 412183 | * | - | - | * | - | - | 1 | FEED BAR COMP. | | | | | | | | | | |
| 9 | 281090 | - | * | * | - | * | * | 1 | FEED BAR COMP. | | | | | | | | | | |
| 10 | 545391 | * | * | * | * | * | * | 1 | FEED DOG SUPPORT SCREW | | | | | | | | | | |
| 11 | 545437 | * | * | * | * | * | * | 1 | FEED DOG SUPPORT SCREW NUT | | | | | | | | | | |
| 14 | 412089 | * | - | - | * | - | - | 1 | FEED BAR HINGE SCREW | | | | | | | | | | |
| 14 | 281091 | - | * | * | - | * | * | 1 | FEED BAR HINGE SCREW | | | | | | | | | | |
| 15 | 545405 | * | - | - | * | - | - | 1 | FEED BAR HINGE SCREW NUT | | | | | | | | | | |
| 15 | 545428 | - | * | * | - | * | * | 1 | FEED BAR HINGE SCREW NUT | | | | | | | | | | |
| 16 | 508327 | * | * | * | * | * | * | 2 | FEED ROCK SHAFT STOP COLLAR COMP. | | | | | | | | | | |
| 17 | 154780 | * | * | * | * | * | * | 4 | FEED ROCK SHAFT STOP COLLAR SET SCREW | | | | | | | | | | |
| 18 | 552523 | * | * | * | * | * | * | 1 | FEED ROCK SHAFT BUSHING (FRONT) | | | | | | | | | | |
| 19 | 367397 | * | * | * | * | * | * | 1 | FEED ROCK SHAFT BUSHING (MIDDLE) | | | | | | | | | | |
| 20 | 552524 | * | * | * | * | * | * | 1 | FEED ROCK SHAFT BUSHING (BACK) | | | | | | | | | | |
| 21 | 552525 | * | * | * | * | * | * | 1 | FEED ROCK SHAFT COMP. | | | | | | | | | | |
| 22 | 554465-004 | * | * | * | * | * | * | 1 | FEED ROCK SHAFT OIL PACKING (WICK) (LONG) | | | | | | | | | | |
| 23 | 502987 | * | * | * | * | * | * | 2 | FEED ROCK SHAFT OIL HOLE PLUG | | | | | | | | | | |
| 24 | 554465-001 | * | * | * | * | * | * | 1 | FEED DRIVING ROCK SHAFT OIL PACKING (WICK) (SHORT) | | | | | | | | | | |

HOOK DRIVING SHAFT, HOOK DRIVING SHAFT CONNECTION BELT PULLEY

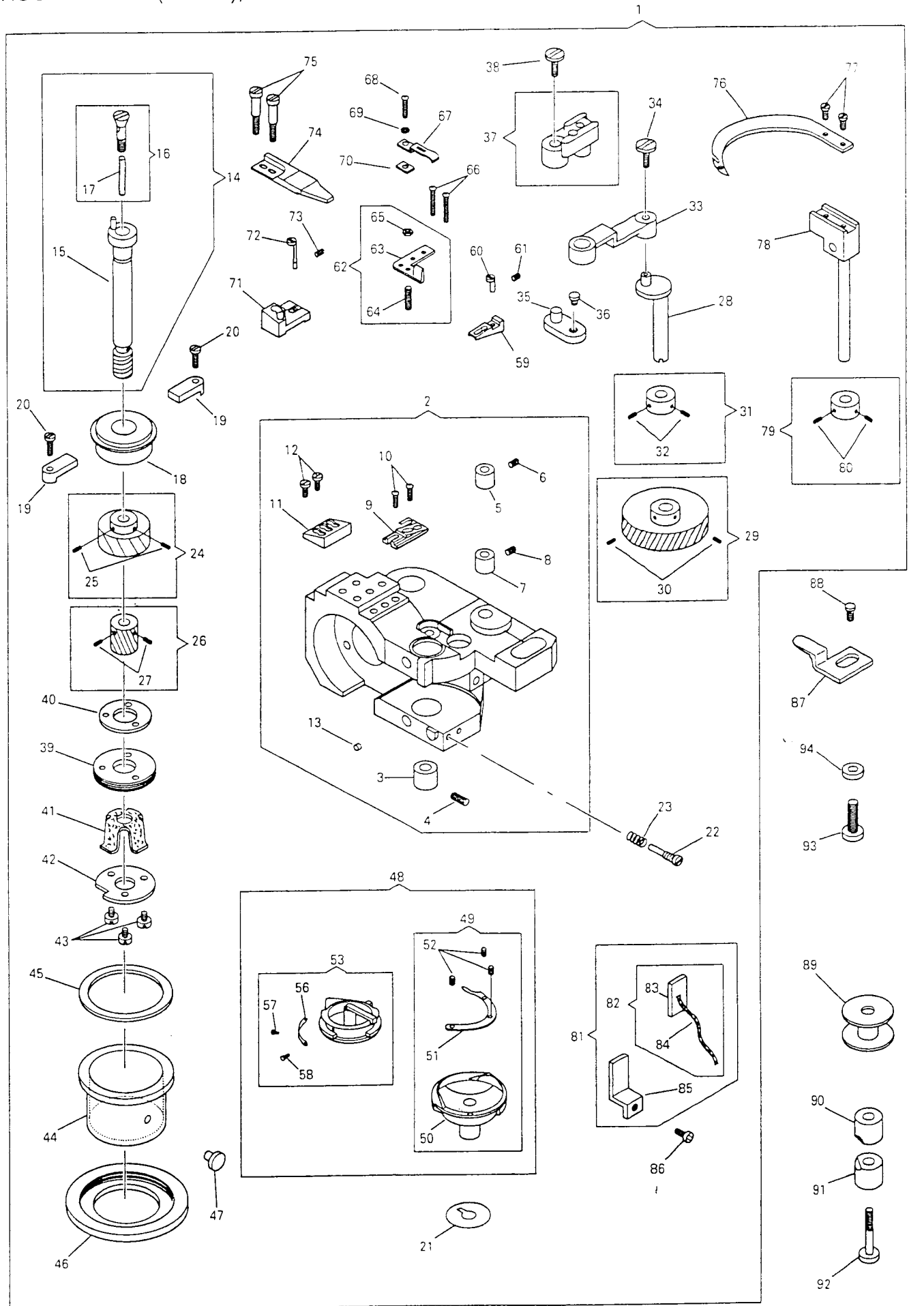


| NO. | PART NO. | 141A | 141B | 141G | 541A | 541B | 541G | Y | T | Q | DESCRIPTION |
|-----|------------|------|------|------|------|------|------|---|---|---|---|
| 1 | 552528 | * | * | * | * | * | * | * | 1 | 1 | HOOK DRIVING SHAFT |
| 2 | 267195 | * | * | * | * | * | * | * | 1 | 1 | HOOK SADDLE BEARING (LEFT) |
| 3 | 416699 | * | * | * | * | * | * | * | 1 | 1 | HOOK SADDLE BEARING (RIGHT) |
| 4 | 552529 | * | * | * | * | * | * | * | 1 | 1 | HOOK DRIVING SHAFT BUSHING (CENTER) |
| 5 | 554676 | * | * | * | * | * | * | * | 1 | 1 | HOOK DRIVING SHAFT BALL BEARING COMP. |
| 6 | 544329 | * | * | * | * | * | * | * | 1 | 1 | HOOK DRIVING SHAFT BALL BEARING COLLAR POSITION SCREW |
| 7 | 544325 | * | * | * | * | * | * | * | 1 | 1 | HOOK DRIVING SHAFT BALL BEARING COLLAR SET SCREW |
| 8 | 267063 | * | * | * | * | * | * | * | 1 | 1 | HOOK DRIVING SHAFT BALL BEARING RETAINING WASHER |
| 9 | 544346 | * | * | * | * | * | * | * | 3 | 3 | HOOK DRIVING SHAFT BALL BEARING RETAINING WASHER SCREW |
| 10 | 412180 | * | * | * | * | * | * | * | 1 | 1 | HOOK DRIVING SHAFT CONNECTION BELT PULLEY COMP. |
| 11 | 202253 | * | * | * | * | * | * | * | 1 | 1 | HOOK DRIVING SHAFT CONNECTION BELT PULLEY SPRING FLANGE |
| 12 | 544385 | * | * | * | * | * | * | * | 2 | 2 | HOOK DRIVING SHAFT CONNECTION BELT PULLEY SET SCREW |
| 13 | 412034 | * | * | * | * | * | * | * | 2 | 2 | HOOK DRIVING GEAR COMP. |
| 14 | 544329 | * | * | * | * | * | * | * | 2 | 2 | HOOK DRIVING GEAR POSITION SCREW |
| 15 | 544325 | * | * | * | * | * | * | * | 2 | 2 | HOOK DRIVING GEAR SET SCREW |
| 16 | 412026 | * | * | * | * | * | * | * | 1 | 1 | FEED LIFTING ECCENTRIC COMP. |
| 17 | 544329 | * | * | * | * | * | * | * | 1 | 1 | FEED LIFTING ECCENTRIC SET SCREW |
| 18 | 552532 | * | * | * | * | * | * | * | 1 | 1 | HOOK DRIVING SHAFT COLLAR COMP. |
| 19 | 544204-002 | * | * | * | * | * | * | * | 2 | 2 | HOOK DRIVING SHAFT COLLAR SET SCREW |
| 20 | 545174-452 | * | * | * | * | * | * | * | 2 | 2 | HOOK DRIVING SHAFT BALL BEARING COLLAR SET SCREW |

| NO. | PART NO. | 141A | 141B | 141G | 541A | 541B | 541G | Y | T | Q | DESCRIPTION |
|-----|----------|------|------|------|------|------|------|---|---|---|-------------|
| | | | | | | | | | | | |
| | | | | | | | | | | | |
| | | | | | | | | | | | |
| | | | | | | | | | | | |
| | | | | | | | | | | | |
| | | | | | | | | | | | |
| | | | | | | | | | | | |
| | | | | | | | | | | | |
| | | | | | | | | | | | |
| | | | | | | | | | | | |
| | | | | | | | | | | | |
| | | | | | | | | | | | |

From the library of: Diamond Needle Corp

HOOK SADDLE (RIGHT), HOOK

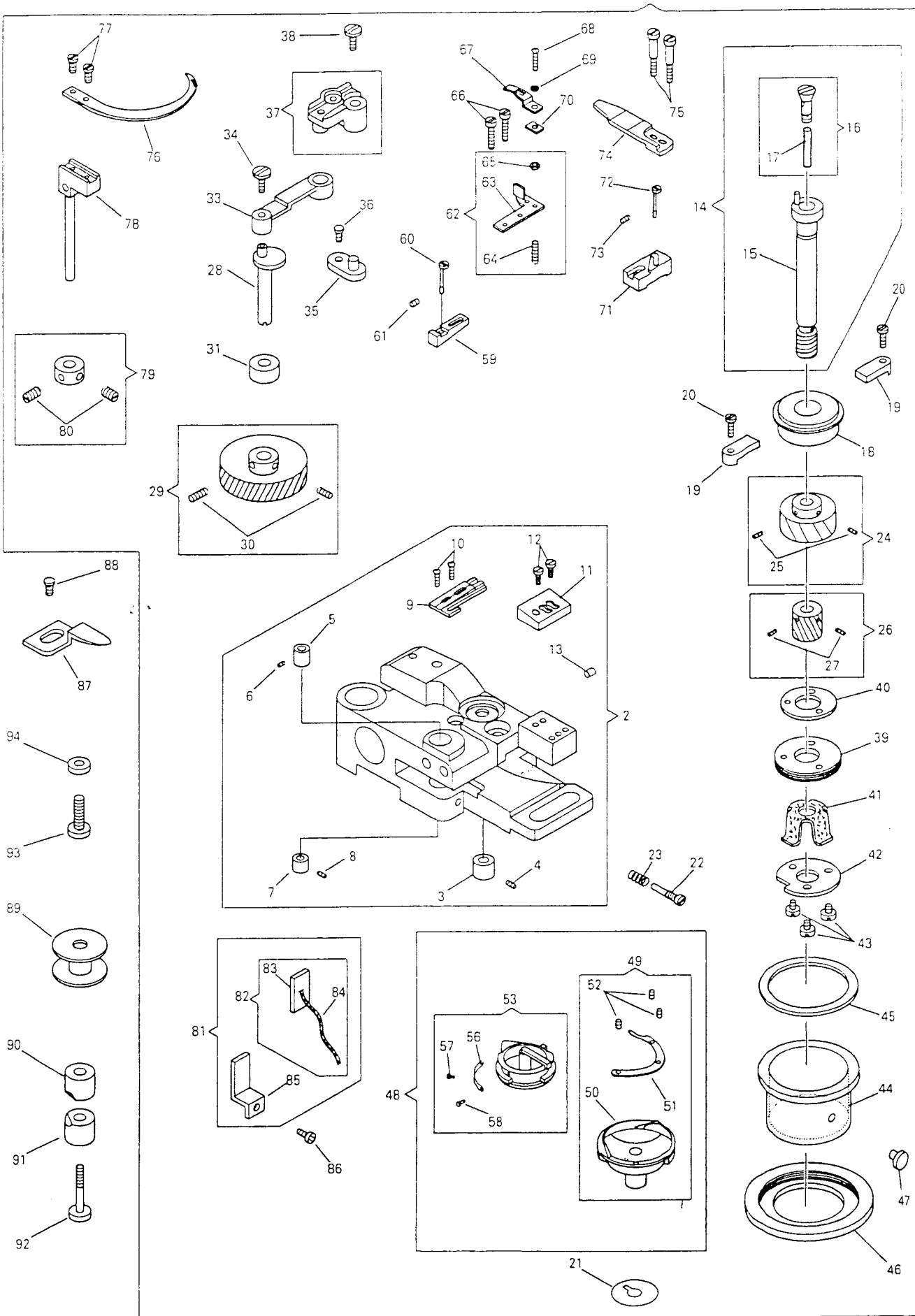


From the library of: Diamond Needle Corp

| NO. | PART NO. | 141A | 141B | 141G | 541A | 541B | 541C | Y | TD | DESCRIPTION |
|-----|------------|------|------|------|------|------|------|---|----|--|
| 1 | 554460 | * | * | * | * | * | * | 1 | | HOOK SADDLE (RIGHT) WITH HOOK COMP. |
| 1 | 554701 | * | * | * | * | * | * | 1 | | HOOK SADDLE (RIGHT) WITH HOOK COMP. |
| 1 | 554706 | * | * | * | * | * | * | 1 | | HOOK SADDLE (RIGHT) WITH HOOK COMP. |
| 1 | 554711 | * | * | * | * | * | * | 1 | | HOOK SADDLE (RIGHT) WITH HOOK COMP. |
| 2 | 554461 | * | * | * | * | * | * | 1 | | HOOK SADDLE (RIGHT) COMP. |
| 2 | 554702 | * | * | * | * | * | * | 1 | | HOOK SADDLE (RIGHT) COMP. |
| 2 | 554707 | * | * | * | * | * | * | 1 | | HOOK SADDLE (RIGHT) COMP. |
| 2 | 554712 | * | * | * | * | * | * | 1 | | HOOK SADDLE (RIGHT) COMP. |
| 3 | 554643-001 | * | * | * | * | * | * | 1 | | HOOK SHAFT BUSHING (LOWER) |
| 3 | 554643-002 | * | * | * | * | * | * | 1 | | HOOK SHAFT BUSHING (LOWER) |
| 4 | 504020 | * | * | * | * | * | * | 1 | | HOOK SHAFT BUSHING (LOWER) SET SCREW |
| 5 | 282784-001 | * | * | * | * | * | * | 1 | | BOBBIN CASE OPENER CAM SHAFT BUSHING (UPPER) |
| 6 | 544207-011 | * | * | * | * | * | * | 1 | | BOBBIN CASE OPENER CAM SHAFT BUSHING (UPPER) SET SCREW |
| 7 | 282784-002 | * | * | * | * | * | * | 1 | | BOBBIN CASE OPENER CAM SHAFT BUSHING (LOWER) |
| 8 | 544207-011 | * | * | * | * | * | * | 1 | | BOBBIN CASE OPENER CAM SHAFT BUSHING (LOWER) SET SCREW |
| 9 | 281039 | * | * | * | * | * | * | 1 | | THREAD PULLER SUPPORT |
| 10 | 544211-052 | * | * | * | * | * | * | 2 | | ADJUSTING BLOCK (LOWER) THREAD PULLER SUPPORT |
| 11 | 281040 | * | * | * | * | * | * | 1 | | ADJUSTING BLOCK (LOWER) SET SCREW |
| 12 | 544211-052 | * | * | * | * | * | * | 2 | | STATIONARY KNIFE ADJUSTING BLOCK (LOWER) |
| 13 | 554641 | * | * | * | * | * | * | 1 | | STATIONARY KNIFE ADJUSTING BLOCK (LOWER) SET SCREW |
| 14 | 554646 | * | * | * | * | * | * | 1 | | HOOK SADDLE PLUG |
| 15 | 554647 | * | * | * | * | * | * | 1 | | HOOK SHAFT OIL WICK HOLDER COMP. |
| 16 | 554648 | * | * | * | * | * | * | 1 | | HOOK SHAFT OIL WICK HOLDER COMP. |
| 17 | 502928 | * | * | * | * | * | * | 1 | | HOOK SHAFT OIL FELT |
| 18 | 267053 | * | * | * | * | * | * | 1 | | HOOK BALL BEARING |
| 19 | 514173 | * | * | * | * | * | * | 2 | | HOOK BALL BEARING RETAINER |
| 20 | 504010-452 | * | * | * | * | * | * | 2 | | HOOK BALL BEARING RETAINER SCREW |
| 21 | 514170 | * | * | * | * | * | * | 4 | | HOOK SPACER |
| 22 | 554839 | * | * | * | * | * | * | 1 | | OIL REGULATING SCREW |
| 23 | 544359 | * | * | * | * | * | * | 1 | | OIL REGULATING SCREW SPRING |
| 24 | 554644 | * | * | * | * | * | * | 1 | | HOOK DRIVING PINION COMP. |
| 25 | 544325 | * | * | * | * | * | * | 2 | | HOOK DRIVING PINION SET SCREW |
| 26 | 554645 | * | * | * | * | * | * | 1 | | BOBBIN CASE OPENER CAM SHAFT |
| 27 | 544207-011 | * | * | * | * | * | * | 2 | | ACTUATING GEAR COMP. |
| 28 | 282788 | * | * | * | * | * | * | 1 | | BOBBIN CASE OPENER CAM SHAFT |
| 29 | 282789 | * | * | * | * | * | * | 1 | | ACTUATING GEAR SET SCREW |
| 30 | 544207-011 | * | * | * | * | * | * | 2 | | BOBBIN CASE OPENER CAM SHAFT |
| 31 | 282790 | * | * | * | * | * | * | 1 | | BOBBIN CASE OPENER CAM SHAFT |
| 32 | 544207-011 | * | * | * | * | * | * | 2 | | BOBBIN CASE OPENER CAM SHAFT |
| 33 | 282791 | * | * | * | * | * | * | 1 | | CAP SCREW |
| 33 | 282802 | * | * | * | * | * | * | 1 | | BOBBIN CASE OPENER CRANK LINK |
| 34 | 544356 | * | * | * | * | * | * | 1 | | BOBBIN CASE OPENER CRANK LINK |
| 35 | 412283 | * | * | * | * | * | * | 1 | | BOBBIN CASE OPENER CRANK LINK |
| 36 | 544383 | * | * | * | * | * | * | 1 | | BOBBIN CASE OPENER CRANK LINK |
| 37 | 282792 | * | * | * | * | * | * | 1 | | STUD SCREW |
| 38 | 544356 | * | * | * | * | * | * | 1 | | BOBBIN CASE OPENER CRANK HINGE |
| 39 | 554659 | * | * | * | * | * | * | 1 | | COMP. |
| 40 | 554668 | * | * | * | * | * | * | 1 | | BOBBIN CASE OPENER CRANK HINGE |
| 41 | 281046 | * | * | * | * | * | * | 1 | | STUD |
| 42 | 554608 | * | * | * | * | * | * | 1 | | BOBBIN CASE OPENER CRANK HINGE |
| 43 | 544211-003 | * | * | * | * | * | * | 3 | | BOBBIN CASE OPENER CRANK HINGE |
| 44 | 554658 | * | * | * | * | * | * | 1 | | SCREW |
| 45 | 554661 | * | * | * | * | * | * | 1 | | BOBBIN CASE OPENER CRANK HINGE |
| 46 | 554660 | * | * | * | * | * | * | 1 | | SCREW |

| NO. | PART NO. | 141A | 141B | 141G | 541A | 541B | 541C | Y | TD | DESCRIPTION |
|-----|------------|------|------|------|------|------|------|---|----|--|
| 47 | 367314 | * | * | * | * | * | * | 1 | | HOOK SADDLE OIL RESERVOIR PLUG |
| 48 | 554824 | * | * | * | * | * | * | 1 | | HOOK AND BOBBIN CASE COMP. |
| 48 | 554825 | * | * | * | * | * | * | 1 | | HOOK AND BOBBIN CASE COMP. |
| 49 | 554606 | * | * | * | * | * | * | 1 | | HOOK COMP. |
| 49 | 554611 | * | * | * | * | * | * | 1 | | HOOK COMP. |
| 50 | 554607 | * | * | * | * | * | * | 1 | | HOOK (BODY) |
| 50 | 554612 | * | * | * | * | * | * | 1 | | HOOK (BODY) |
| 51 | 281135 | * | * | * | * | * | * | 1 | | HOOK GIB |
| 51 | 412311 | * | * | * | * | * | * | 1 | | HOOK GIB |
| 52 | 201253 | * | * | * | * | * | * | 2 | | HOOK GIB SCREW |
| 52 | 500520 | * | * | * | * | * | * | 3 | | HOOK GIB SCREW |
| 53 | 281136 | * | * | * | * | * | * | 1 | | BOBBIN CASE COMP. |
| 53 | 281146 | * | * | * | * | * | * | 1 | | BOBBIN CASE COMP. |
| 56 | 236083 | * | * | * | * | * | * | 1 | | BOBBIN CASE TENSION SPRING |
| 56 | 510011 | * | * | * | * | * | * | 1 | | BOBBIN CASE TENSION SPRING |
| 57 | 201016 | * | * | * | * | * | * | 1 | | BOBBIN CASE TENSION SPRING |
| 57 | 500519 | * | * | * | * | * | * | 1 | | REGULATING SCREW |
| 58 | 200594 | * | * | * | * | * | * | 1 | | BOBBIN CASE TENSION SPRING |
| 58 | 500518 | * | * | * | * | * | * | 1 | | REGULATING SCREW |
| 59 | 281056 | * | * | * | * | * | * | 1 | | BOBBIN CASE TENSION SPRING |
| 60 | 543376 | * | * | * | * | * | * | 1 | | THREAD PULLER SUPPORT |
| 61 | 544207-011 | * | * | * | * | * | * | 1 | | ADJUSTING BLOCK (UPPER) |
| 62 | 281054 | * | * | * | * | * | * | 1 | | THREAD PULLER SUPPORT |
| 63 | 281055 | * | * | * | * | * | * | 1 | | ADJUSTING BLOCK (UPPER) |
| 64 | 374475 | * | * | * | * | * | * | 1 | | ECCENTRIC PIN |
| 65 | 541159 | * | * | * | * | * | * | 1 | | THREAD PULLER SUPPORT |
| 66 | 374478 | * | * | * | * | * | * | 2 | | ADJUSTING BLOCK (UPPER) |
| 67 | 281057 | * | * | * | * | * | * | 1 | | ECCENTRIC PIN SET SCREW |
| 68 | 544413 | * | * | * | * | * | * | 1 | | THREAD PULLER SUPPORT COMP. |
| 69 | 408386 | * | * | * | * | * | * | 1 | | TRAPPER ADJUSTING SCREW |
| 70 | 548228 | * | * | * | * | * | * | 1 | | TRAPPER ADJUSTING SCREW NUT |
| 71 | 281059 | * | * | * | * | * | * | 1 | | TRAPPER SET SCREW |
| 72 | 281060 | * | * | * | * | * | * | 1 | | TRAPPER SET SCREW WASHER |
| 73 | 544207-011 | * | * | * | * | * | * | 1 | | TRAPPER ADJUSTING WASHER |
| 74 | 281058 | * | * | * | * | * | * | 1 | | STATIONARY KNIFE ADJUSTING BLOCK (UPPER) |
| 75 | 374476 | * | * | * | * | * | * | 2 | | STATIONARY KNIFE ADJUSTING BLOCK (UPPER) ECCENTRIC PIN |
| 76 | 281050-001 | * | * | * | * | * | * | 1 | | STATIONARY KNIFE ADJUSTING BLOCK (UPPER) ECCENTRIC PIN SET SCREW |
| 77 | 544088 | * | * | * | * | * | * | 2 | | STATIONARY KNIFE |
| 78 | 281051 | * | * | * | * | * | * | 1 | | STATIONARY KNIFE SET SCREW |
| 79 | 281064 | * | * | * | * | * | * | 1 | | STATIONARY KNIFE SET SCREW |
| 80 | 544207-011 | * | * | * | * | * | * | 2 | | THREAD PULLER |
| 81 | 552891 | * | * | * | * | * | * | 1 | | THREAD PULLER SCREW |
| 82 | 552892 | * | * | * | * | * | * | 1 | | THREAD PULLER RETAINER BRACKET |
| 83 | 552894 | * | * | * | * | * | * | 1 | | THREAD PULLER RETAINER BRACKET |
| 84 | 552895 | * | * | * | * | * | * | 1 | | SHAFT COLLAR COMP. |
| 85 | 552893 | * | * | * | * | * | * | 1 | | SHAFT COLLAR SET SCREW |
| 86 | 544211-002 | * | * | * | * | * | * | 1 | | HOOK DRIVING PINION OIL FELT, OIL FELT BRACKET COMP. |
| 87 | 282793 | * | * | * | * | * | * | 1 | | HOOK DRIVING PINION OIL FELT, OIL PACKING (WICK) COMP. |
| 88 | 549027 | * | * | * | * | * | * | 1 | | HOOK DRIVING PINION OIL FELT |
| 89 | 282762 | * | * | * | * | * | * | 1 | | HOOK DRIVING PINION OIL FELT |
| 89 | 282763 | * | * | * | * | * | * | 1 | | HOOK DRIVING PINION OIL PACKING (WICK) |
| 89 | 282764 | * | * | * | * | * | * | 1 | | HOOK DRIVING PINION OIL FELT |
| 90 | 412115 | * | * | * | * | * | * | 1 | | BRACKET |
| 91 | 267139 | * | * | * | * | * | * | 1 | | HOOK DRIVING PINION OIL FELT |
| 92 | 544364 | * | * | * | * | * | * | 1 | | BRACKET |
| 93 | 544334 | * | * | * | * | * | * | 1 | | BRACKET SCREW |
| 94 | 225585 | * | * | * | * | * | * | 1 | | BOBBIN CASE OPENER |

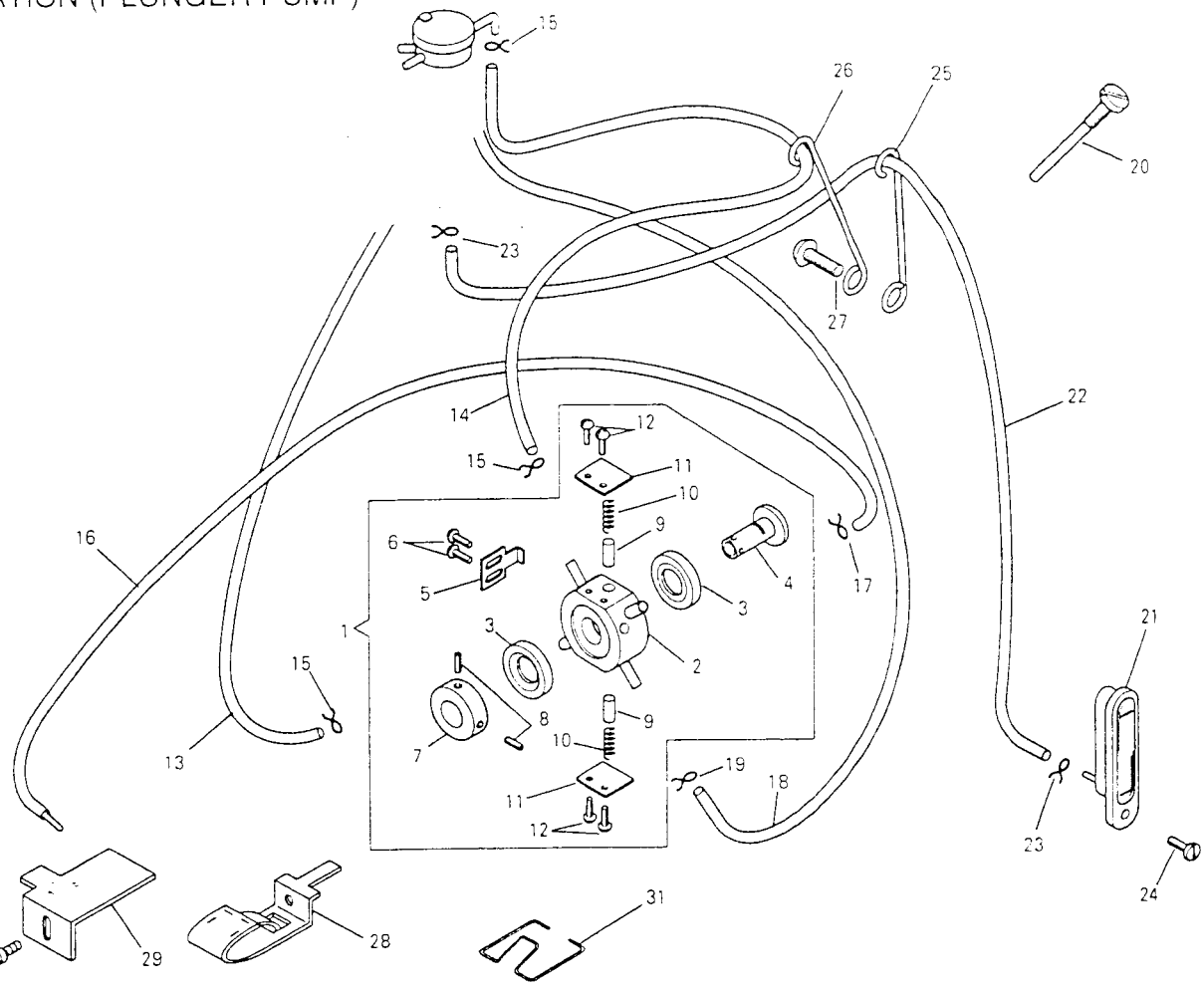
HOOK SADDLE (LEFT), HOOK



| NO. | PART NO. | 141A | 141B | 141G | 541A | 541B | 541G | Y | DESCRIPTION |
|-----|------------|------|------|------|------|------|------|---|---|
| 1 | 554462 | * | * | * | * | * | * | 1 | HOOK SADDLE (LEFT) WITH HOOK COMP. |
| 1 | 554703 | * | * | * | * | * | * | 1 | HOOK SADDLE (LEFT) WITH HOOK COMP. |
| 1 | 554708 | * | * | * | * | * | * | 1 | HOOK SADDLE (LEFT) WITH HOOK COMP. |
| 1 | 554714 | * | * | * | * | * | * | 1 | HOOK SADDLE (LEFT) WITH HOOK COMP. |
| 2 | 554463 | * | * | * | * | * | * | 1 | HOOK SADDLE (LEFT) COMP. |
| 2 | 554704 | * | * | * | * | * | * | 1 | HOOK SADDLE (LEFT) COMP. |
| 2 | 554709 | * | * | * | * | * | * | 1 | HOOK SADDLE (LEFT) COMP. |
| 2 | 554715 | * | * | * | * | * | * | 1 | HOOK SADDLE (LEFT) COMP. |
| 3 | 554643-001 | * | * | * | * | * | * | 1 | HOOK SHAFT BUSHING (LOWER) |
| 3 | 554643-002 | * | * | * | * | * | * | 1 | HOOK SHAFT BUSHING (LOWER) |
| 4 | 504020 | * | * | * | * | * | * | 1 | HOOK SHAFT BUSHING (LOWER) SET SCREW |
| 5 | 282784-001 | * | * | * | * | * | * | 1 | BOBBIN CASE OPENER CAM SHAFT BUSHING (UPPER) |
| 6 | 544207-011 | * | * | * | * | * | * | 1 | BOBBIN CASE OPENER CAM SHAFT BUSHING (UPPER) SET SCREW |
| 7 | 282797 | * | * | * | * | * | * | 1 | BOBBIN CASE OPENER CAM SHAFT BUSHING (LOWER) |
| 8 | 544207-011 | * | * | * | * | * | * | 1 | BOBBIN CASE OPENER CAM SHAFT BUSHING (LOWER) SET SCREW |
| 9 | 281039 | * | * | * | * | * | * | 1 | THREAD PULLER SUPPORT ADJUSTING |
| 10 | 544211-052 | * | * | * | * | * | * | 2 | BLOCK (LOWER) THREAD PULLER SUPPORT ADJUSTING BLOCK (LOWER) SET SCREW |
| 11 | 281040 | * | * | * | * | * | * | 1 | STATIONARY KNIFE ADJUSTING BLOCK (LOWER) |
| 12 | 544211-052 | * | * | * | * | * | * | 2 | STATIONARY KNIFE ADJUSTING BLOCK (LOWER) SET SCREW |
| 13 | 554641 | * | * | * | * | * | * | 1 | HOOK SADDLE PLUG |
| 14 | 554646 | * | * | * | * | * | * | 1 | HOOK SHAFT HOOK SHAFT OIL WICK HOLDER COMP. |
| 15 | 554647 | * | * | * | * | * | * | 1 | HOOK SHAFT COMP. |
| 16 | 554648 | * | * | * | * | * | * | 1 | HOOK SHAFT OIL WICK HOLDER COMP. |
| 17 | 502928 | * | * | * | * | * | * | 1 | HOOK SHAFT OIL FELT |
| 18 | 267053 | * | * | * | * | * | * | 1 | HOOK BALL BEARING |
| 19 | 514173 | * | * | * | * | * | * | 2 | HOOK BALL BEARING RETAINER |
| 20 | 504010-452 | * | * | * | * | * | * | 2 | HOOK BALL BEARING RETAINER SCREW |
| 21 | 514170 | * | * | * | * | * | * | 4 | HOOK SPACER |
| 22 | 554839 | * | * | * | * | * | * | 1 | OIL REGULATING SCREW |
| 23 | 544958 | * | * | * | * | * | * | 1 | OIL REGULATING SCREW SPRING |
| 24 | 554644 | * | * | * | * | * | * | 1 | HOOK DRIVING PINION COMP. |
| 25 | 544325 | * | * | * | * | * | * | 2 | HOOK DRIVING PINION SET SCREW |
| 26 | 554645 | * | * | * | * | * | * | 1 | BOBBIN CASE OPENER CAM SHAFT ACTUATING GEAR COMP. |
| 27 | 544207-011 | * | * | * | * | * | * | 2 | BOBBIN CASE OPENER CAM SHAFT ACTUATING GEAR SET SCREW |
| 28 | 282798 | * | * | * | * | * | * | 1 | BOBBIN CASE OPENER CAM SHAFT |
| 29 | 282789 | * | * | * | * | * | * | 1 | BOBBIN CASE OPENER CAM SHAFT GEAR COMP. |
| 30 | 544207-011 | * | * | * | * | * | * | 2 | BOBBIN CASE OPENER SHAFT GEAR SET SCREW |
| 31 | 282798 | * | * | * | * | * | * | 1 | BOBBIN CASE OPENER SHAFT SPACER |
| 33 | 282791 | * | * | * | * | * | * | 1 | BOBBIN CASE OPENER CRANK LINK |
| 33 | 282802 | * | * | * | * | * | * | 1 | BOBBIN CASE OPENER CRANK LINK |
| 34 | 544356 | * | * | * | * | * | * | 1 | BOBBIN CASE OPENER CRANK LINK CAP SCREW |
| 35 | 412283 | * | * | * | * | * | * | 1 | BOBBIN CASE OPENER CRANK HINGE STUD |
| 36 | 544383 | * | * | * | * | * | * | 1 | BOBBIN CASE OPENER CRANK HINGE STUD SCREW |
| 37 | 282792 | * | * | * | * | * | * | 1 | BOBBIN CASE OPENER CRANK COMP. |
| 38 | 544356 | * | * | * | * | * | * | 1 | BOBBIN CASE OPENER CRANK CAP SCREW |
| 39 | 554659 | * | * | * | * | * | * | 1 | HOOK SADDLE OIL RESERVOIR BRACKET |
| 40 | 554668 | * | * | * | * | * | * | 1 | HOOK SADDLE OIL RESERVOIR BRACKET GASKET |
| 41 | 281046 | * | * | * | * | * | * | 1 | HOOK OIL FELT |
| 42 | 554668 | * | * | * | * | * | * | 1 | HOOK OIL FELT RETAINER |
| 43 | 544211-003 | * | * | * | * | * | * | 3 | HOOK OIL FELT RETAINER SCREW |
| 44 | 554658 | * | * | * | * | * | * | 1 | HOOK SADDLE OIL RESERVOIR |
| 45 | 554661 | * | * | * | * | * | * | 1 | HOOK SADDLE OIL RESERVOIR GASKET |
| 46 | 554660 | * | * | * | * | * | * | 1 | HOOK SADDLE OIL RESERVOIR RING |
| 47 | 367314 | * | * | * | * | * | * | 1 | HOOK SADDLE OIL RESERVOIR PLUG |
| 48 | 554824 | * | * | * | * | * | * | 1 | HOOK AND BOBBIN CASE COMP. |
| 48 | 554825 | * | * | * | * | * | * | 1 | HOOK AND BOBBIN CASE COMP. |

| NO. | PART NO. | 141A | 141B | 141G | 541A | 541B | 541G | Y | DESCRIPTION |
|-----|------------|------|------|------|------|------|------|---|---|
| 49 | 554606 | * | * | * | * | * | * | 1 | HOOK COMP |
| 49 | 554611 | * | * | * | * | * | * | 1 | HOOK COMP |
| 50 | 554607 | * | * | * | * | * | * | 1 | HOOK (BODY) |
| 50 | 554612 | * | * | * | * | * | * | 1 | HOOK (BODY) |
| 51 | 281135 | * | * | * | * | * | * | 1 | HOOK GIB |
| 51 | 412311 | * | * | * | * | * | * | 1 | HOOK GIB |
| 52 | 201253 | * | * | * | * | * | * | 2 | HOOK GIB SCREW |
| 52 | 500520 | * | * | * | * | * | * | 3 | HOOK GIB SCREW |
| 53 | 281136 | * | * | * | * | * | * | 1 | BOBBIN CASE COMP. |
| 53 | 281146 | * | * | * | * | * | * | 1 | BOBBIN CASE COMP. |
| 56 | 236083 | * | * | * | * | * | * | 1 | BOBBIN CASE TENSION SPRING |
| 56 | 510011 | * | * | * | * | * | * | 1 | BOBBIN CASE TENSION SPRING |
| 57 | 201016 | * | * | * | * | * | * | 1 | BOBBIN CASE TENSION SPRING REGULATING SCREW |
| 57 | 500519 | * | * | * | * | * | * | 1 | BOBBIN CASE TENSION SPRING REGULATING SCREW |
| 58 | 200594 | * | * | * | * | * | * | 1 | BOBBIN CASE TENSION SPRING SCREW |
| 58 | 500518 | * | * | * | * | * | * | 1 | BOBBIN CASE TENSION SPRING SCREW |
| 59 | 281056 | * | * | * | * | * | * | 1 | THREAD PULLER SUPPORT ADJUSTING BLOCK (UPPER) |
| 60 | 543376 | * | * | * | * | * | * | 1 | THREAD PULLER SUPPORT ADJUSTING BLOCK (UPPER) ECCENTRIC PIN |
| 61 | 544207-011 | * | * | * | * | * | * | 1 | THREAD PULLER SUPPORT ADJUSTING BLOCK (UPPER) ECCENTRIC PIN SET SCREW |
| 62 | 281054 | * | * | * | * | * | * | 1 | THREAD PULLER SUPPORT COMP. |
| 63 | 281055 | * | * | * | * | * | * | 1 | THREAD PULLER SUPPORT |
| 64 | 374475 | * | * | * | * | * | * | 1 | TRAPPER ADJUSTING SCREW |
| 65 | 541159 | * | * | * | * | * | * | 1 | TRAPPER ADJUSTING SCREW NUT |
| 66 | 374478 | * | * | * | * | * | * | 2 | THREAD PULLER SUPPORT SCREW |
| 67 | 281057 | * | * | * | * | * | * | 1 | TRAPPER |
| 68 | 544413 | * | * | * | * | * | * | 1 | TRAPPER SET SCREW |
| 69 | 408386 | * | * | * | * | * | * | 1 | TRAPPER SET SCREW WASHER |
| 70 | 548228 | * | * | * | * | * | * | 1 | TRAPPER ADJUSTING WASHER (t=0.13M/M) |
| 71 | 281059 | * | * | * | * | * | * | 1 | STATIONARY KNIFE ADJUSTING BLOCK (UPPER) |
| 72 | 281060 | * | * | * | * | * | * | 1 | STATIONARY KNIFE ADJUSTING BLOCK (UPPER) ECCENTRIC PIN |
| 73 | 544207-011 | * | * | * | * | * | * | 1 | STATIONARY KNIFE ADJUSTING BLOCK (UPPER) ECCENTRIC PIN SET SCREW |
| 74 | 281058 | * | * | * | * | * | * | 1 | STATIONARY KNIFE |
| 75 | 374476 | * | * | * | * | * | * | 2 | STATIONARY KNIFE SET SCREW |
| 76 | 281050-001 | * | * | * | * | * | * | 1 | THREAD PULLER |
| 77 | 544088 | * | * | * | * | * | * | 2 | THREAD PULLER SCREW |
| 78 | 281051 | * | * | * | * | * | * | 1 | THREAD PULLER RETAINER BRACKET COMP. |
| 79 | 281064 | * | * | * | * | * | * | 1 | THREAD PULLER RETAINER BRACKET SHAFT COLLAR COMP. |
| 80 | 544207-011 | * | * | * | * | * | * | 2 | THREAD PULLER RETAINER BRACKET SHAFT COLLAR SET SCREW |
| 81 | 552891 | * | * | * | * | * | * | 1 | HOOK DRIVING PINION OIL FELT, OIL FELT BRACKET COMP. |
| 82 | 552892 | * | * | * | * | * | * | 1 | HOOK DRIVING PINION OIL FELT, OIL PACKING (WICK) COMP. |
| 83 | 552894 | * | * | * | * | * | * | 1 | HOOK DRIVING PINION OIL FELT |
| 84 | 552895 | * | * | * | * | * | * | 1 | HOOK DRIVING PINION OIL PACKING (WICK) |
| 85 | 552893 | * | * | * | * | * | * | 1 | HOOK DRIVING PINION OIL FELT BRACKET |
| 86 | 544211-002 | * | * | * | * | * | * | 1 | HOOK DRIVING PINION OIL FELT BRACKET SCREW |
| 87 | 282793 | * | * | * | * | * | * | 1 | BOBBIN CASE OPENER |
| 88 | 549027 | * | * | * | * | * | * | 1 | BOBBIN CASE OPENER SCREW |
| 89 | 282762 | * | * | * | * | * | * | 1 | BOBBIN |
| 89 | 282763 | * | * | * | * | * | * | 1 | BOBBIN |
| 89 | 282764 | * | * | * | * | * | * | 1 | BOBBIN |
| 90 | 412115 | * | * | * | * | * | * | 1 | PINCH SLEEVE (UPPER) |
| 91 | 267139 | * | * | * | * | * | * | 1 | PINCH SLEEVE (LOWER) |
| 92 | 544364 | * | * | * | * | * | * | 1 | PINCH SLEEVE SCREW |
| 93 | 414742 | * | * | * | * | * | * | 1 | HOOK SADDLE (LEFT) SCREW |
| 94 | 225585 | * | * | * | * | * | * | 1 | HOOK SADDLE (LEFT) SCREW WASHER |

LUBRICATION (PLUNGER PUMP)

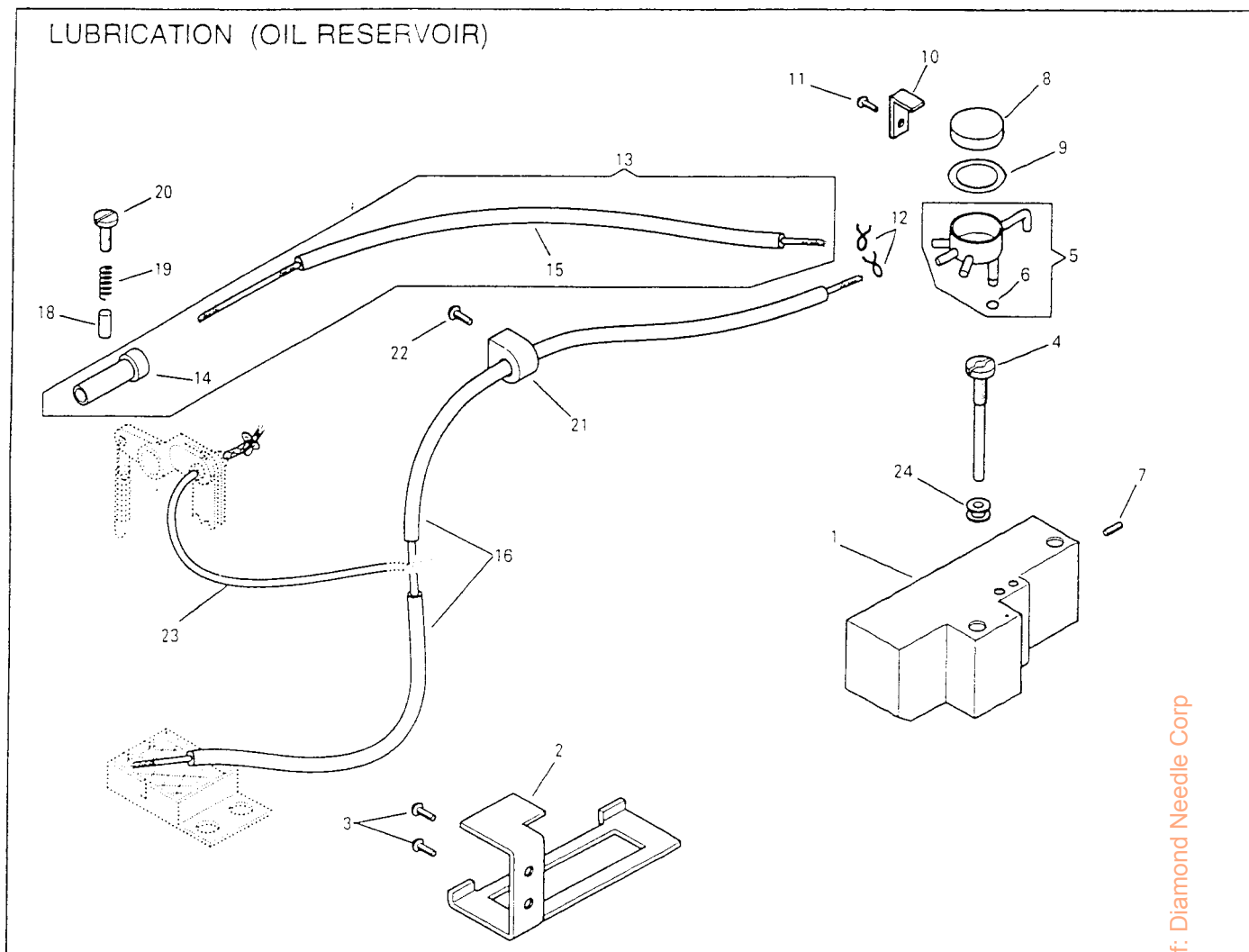


| NO | PART NO. | 141A | 141B | 141G | 541A | 541B | 541G | Y | T-O | DESCRIPTION |
|----|------------|------|------|------|------|------|------|---|-----|---|
| 1 | 554346 | * | * | * | * | * | * | 1 | | PLUNGER PUMP COMP. |
| 2 | 554347 | * | * | * | * | * | * | 1 | | PLUNGER PUMP (BODY) COMP. |
| 3 | 554349 | * | * | * | * | * | * | 2 | | OIL SEAL |
| 4 | 554351 | * | * | * | * | * | * | 1 | | PLUNGER PUMP ROTOR |
| 5 | 554353 | * | * | * | * | * | * | 1 | | PLUNGER PUMP ROTOR RETAINER |
| 6 | 544211-002 | * | * | * | * | * | * | 2 | | PLUNGER PUMP ROTOR RETAINER SCREW |
| 7 | 554352 | * | * | * | * | * | * | 1 | | PLUNGER PUMP ROTOR COLLAR |
| 8 | 549293 | * | * | * | * | * | * | 2 | | PLUNGER PUMP ROTOR COLLAR SET SCREW |
| 9 | 540556 | * | * | * | * | * | * | 2 | | PLUNGER PUMP PISTON |
| 10 | 410710 | * | * | * | * | * | * | 2 | | PLUNGER PUMP PISTON SPRING |
| 11 | 554354 | * | * | * | * | * | * | 2 | | PLUNGER PUMP PISTON SPRING RETAINER |
| 12 | 544211-002 | * | * | * | * | * | * | 4 | | PLUNGER PUMP PISTON SPRING RETAINER SCREW |
| 13 | 552826 | * | * | * | * | * | * | 1 | | OIL TUBE (SUCTION) |
| 14 | 552827 | * | * | * | * | * | * | 1 | | OIL TUBE (DISCHARGE) |
| 15 | 552809 | * | * | * | * | * | * | 3 | | OIL TUBE CLIP |
| 16 | 552833 | * | * | * | * | * | * | 1 | | OIL REMOVING TUBE (SUCTION) COMP. |
| 17 | 552810 | * | * | * | * | * | * | 1 | | OIL REMOVING TUBE CLIP |
| 18 | 554464 | * | * | * | * | * | * | 1 | | OIL REMOVING TUBE (DISCHARGE) |
| 19 | 552810 | * | * | * | * | * | * | 1 | | OIL REMOVING TUBE (DISCHARGE) CLIP |
| 20 | 374543 | * | * | * | * | * | * | 1 | | PLUNGER PUMP SUPPORT SCREW |
| 21 | 552546-401 | * | * | * | * | * | * | 1 | | OIL GAUGE COMP. |
| 22 | 552828 | * | * | * | * | * | * | 1 | | OIL TUBE (FOR OIL GAUGE) |
| 23 | 552809 | * | * | * | * | * | * | 2 | | OIL TUBE (FOR OIL GAUGE) CLIP |
| 24 | 545671 | * | * | * | * | * | * | 1 | | OIL GAUGE SCREW |
| 25 | 554537 | * | * | * | * | * | * | 1 | | OIL TUBE RETAINER (FOR OIL GAUGE) |
| 26 | 552829 | * | * | * | * | * | * | 1 | | OIL TUBE RETAINER (FOR DISCHARGE) |
| 27 | 544217-052 | * | * | * | * | * | * | 1 | | OIL TUBE RETAINER SCREW |
| 28 | 554306 | * | * | * | * | * | * | 1 | | OIL REMOVING LINT SCREEN |
| 29 | 554433 | * | * | * | * | * | * | 1 | | OIL REMOVING LINT SCREEN BRACKET |

| NO | PART NO. | 141A | 141B | 141G | 541A | 541B | 541G | Y | T-O | DESCRIPTION |
|----|----------|------|------|------|------|------|------|---|-----|--|
| 30 | 544269 | * | * | * | * | * | * | 1 | | OIL REMOVING LINT SCREEN BRACKET SCREW |
| 31 | 554860 | * | * | * | * | * | * | 1 | | OIL REMOVING LINT SCREEN RETAINER |

From the library of: Diamond Needle Corp

LUBRICATION (OIL RESERVOIR)

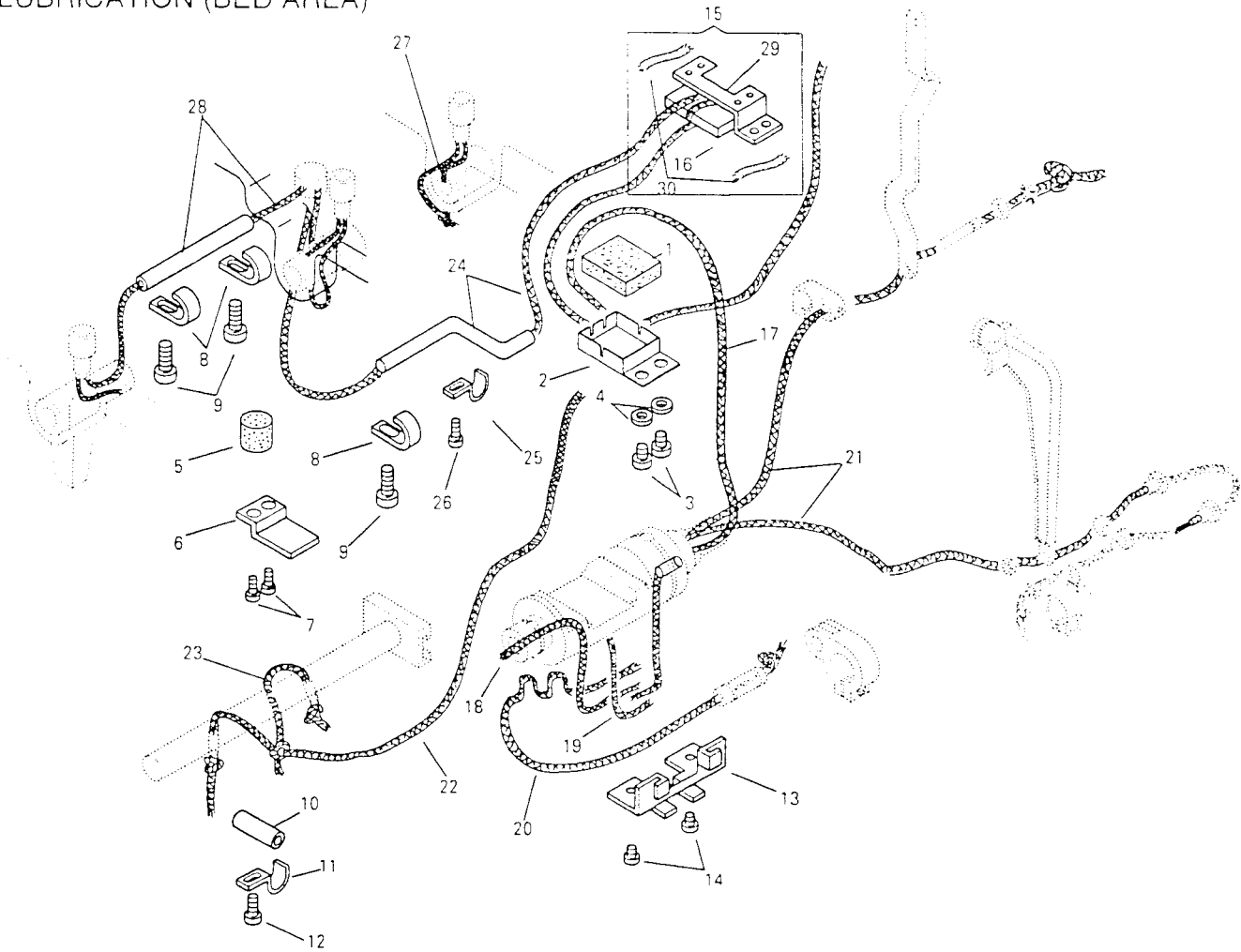


| NO. | PART NO. | 141A | 141B | 141G | 541A | 541B | 541G | Y-T-O | DESCRIPTION |
|-----|------------|------|------|------|------|------|------|-------|--|
| | | * | * | * | * | * | * | | |
| 1 | 552548 | * | * | * | * | * | * | 1 | OIL RESERVOIR |
| 2 | 552550 | * | * | * | * | * | * | 1 | OIL RESERVOIR BRACKET |
| 3 | 374399-002 | * | * | * | * | * | * | 2 | OIL RESERVOIR BRACKET SCREW |
| 4 | 374560 | * | * | * | * | * | * | 1 | OIL SUPPLY SLEEVE SCREW |
| 5 | 554362 | * | * | * | * | * | * | 1 | OIL DISTRIBUTOR AND O-RING COMP. |
| 6 | 543871-006 | * | * | * | * | * | * | 1 | OIL DISTRIBUTOR O-RING |
| 7 | 544202-002 | * | * | * | * | * | * | 1 | OIL DISTRIBUTOR SCREW |
| 8 | 552507 | * | * | * | * | * | * | 1 | OIL DISTRIBUTOR CAP |
| 9 | 554439 | * | * | * | * | * | * | 1 | OIL DISTRIBUTOR CAP O-RING |
| 10 | 552476 | * | * | * | * | * | * | 1 | OIL DISTRIBUTOR CAP RETAINER |
| 11 | 544216-001 | * | * | * | * | * | * | 1 | OIL DISTRIBUTOR CAP RETAINER SCREW |
| 12 | 552809 | * | * | * | * | * | * | 2 | OIL DISTRIBUTOR TUBE CLIP |
| 13 | 554314 | * | * | * | * | * | * | 1 | TAKE-UP LEVER OIL TUBE, OIL FLOW ADJUSTING RUBBER SLEEVE COMP. |
| 14 | 554313 | * | * | * | * | * | * | 1 | TAKE-UP LEVER OIL FLOW ADJUSTING RUBBER SLEEVE |
| 15 | 552830 | * | * | * | * | * | * | 1 | TAKE-UP LEVER OIL TUBE AND WICK COMP. |
| 16 | 552831 | * | * | * | * | * | * | 1 | OIL TUBE (FOR BED) COMP. |
| 18 | 554311 | * | * | * | * | * | * | 1 | TAKE-UP LEVER OIL FLOW ADJUSTING PIN |
| 19 | 554863 | * | * | * | * | * | * | 1 | TAKE-UP LEVER OIL FLOW ADJUSTING SCREW SPRING |
| 20 | 544290 | * | * | * | * | * | * | 1 | TAKE-UP LEVER OIL FLOW ADJUSTING SCREW |
| 21 | 554528 | * | * | * | * | * | * | 1 | OIL FLOW ADJUSTING COLLAR |
| 22 | 545136-452 | * | * | * | * | * | * | 1 | OIL FLOW ADJUSTING COLLAR SCREW |
| 23 | 554523 | * | * | * | * | * | * | 1 | FEED REGULATOR SHAFT ARM STUD OIL WICK |
| 24 | 543683 | * | * | * | * | * | * | 1 | OIL RESERVOIR GROMMETS |

| NO. | PART NO. | 141A | 141B | 141G | 541A | 541B | 541G | Y-T-O | DESCRIPTION |
|-----|----------|------|------|------|------|------|------|-------|-------------|
| | | | | | | | | | |
| | | | | | | | | | |
| | | | | | | | | | |
| | | | | | | | | | |
| | | | | | | | | | |
| | | | | | | | | | |
| | | | | | | | | | |
| | | | | | | | | | |
| | | | | | | | | | |
| | | | | | | | | | |

From the library of: Diamond Needle Corp

LUBRICATION (BED AREA)

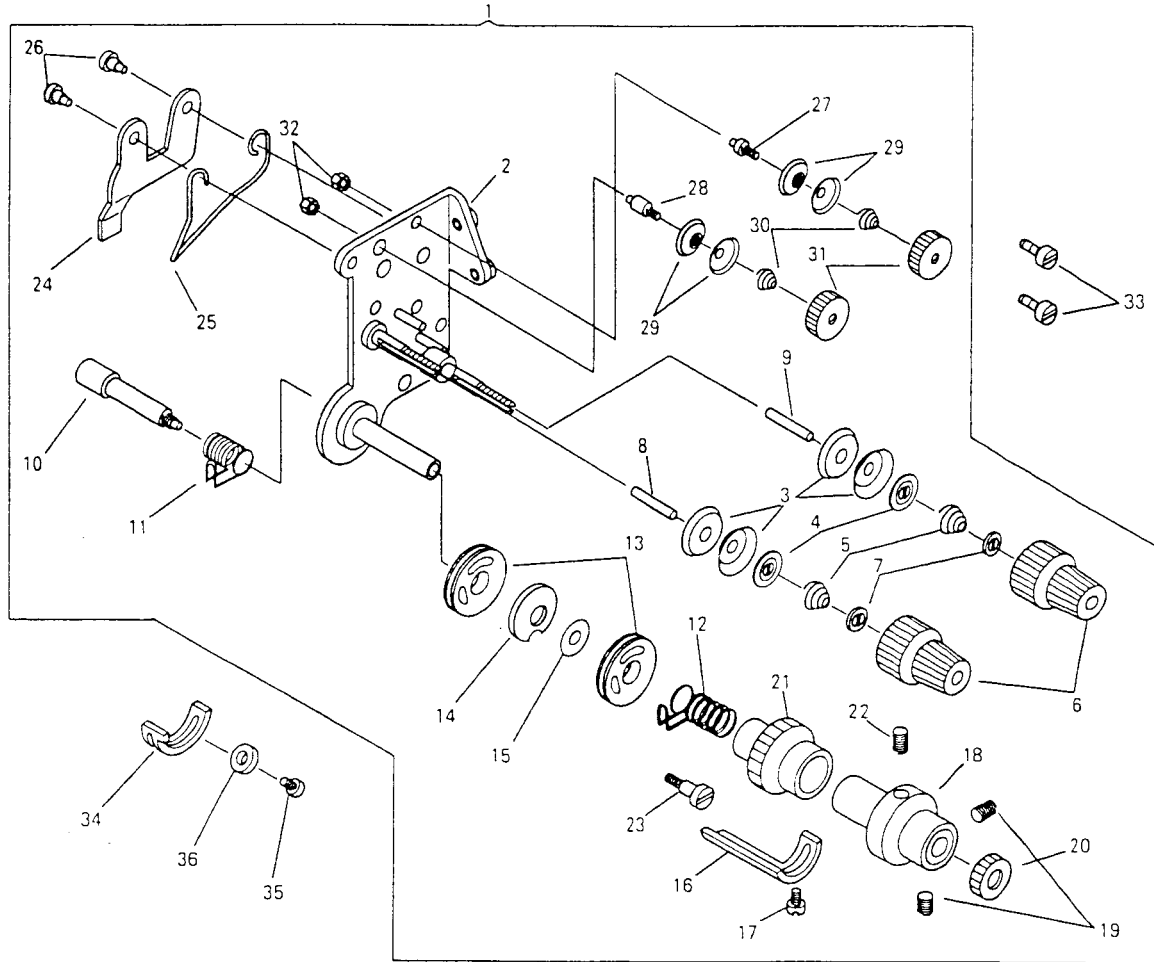


| QTY | PART NO. | 141A | 141B | 141G | 541A | 541B | 541G | QTY | DESCRIPTION |
|-----|------------|------|------|------|------|------|------|-----|--|
| 1 | 552551 | * | * | * | * | * | * | 1 | BED OIL FELT |
| 1 | 552552 | * | * | * | * | * | * | 1 | BED OIL FELT BARKET |
| 2 | 544212-052 | * | * | * | * | * | * | 2 | BED OIL FELT BRACKET SCREW |
| 2 | 543803-003 | * | * | * | * | * | * | 2 | BED OIL FELT BRACKET SCREW WASHER |
| 1 | 552553 | * | * | * | * | * | * | 1 | HOO K DRIVING SHAFT OIL FELT |
| 1 | 552554 | * | * | * | * | * | * | 1 | HOO K DRIVING SHAFT OIL FELT B RACKET |
| 2 | 544212-051 | * | * | * | * | * | * | 2 | HOO K DRIVING SHAFT OIL FELT B RACKET SCREW |
| 3 | 552555 | * | * | * | * | * | * | 3 | HOO K DRIVING SHAFT OIL WICK TUBE R ETAINER |
| 3 | 544212-051 | * | * | * | * | * | * | 3 | HOO K DRIVING SHAFT OIL WICK TUBE R ETAINER SCREW |
| 1 | 552556 | * | * | * | * | * | * | 1 | F EED R OCK SHAFT OIL WICK TUBE |
| 1 | 418604 | * | * | * | * | * | * | 1 | F EED R OCK SHAFT OIL WICK TUBE R ETAINER |
| 1 | 544212-051 | * | * | * | * | * | * | 1 | F EED R OCK SHAFT OIL WICK TUBE R ETAINER SCREW |
| 1 | 552557 | * | * | * | * | * | * | 1 | F EED R OCK SHAFT DRIVING FRAME OIL WICK BRACKET |
| 2 | 544212-001 | * | * | * | * | * | * | 2 | F EED R OCK SHAFT DRIVING FRAME OIL WICK BRACKET SCREW |
| 1 | 554440 | * | * | * | * | * | * | 1 | F EED DRIVING ECCENTRIC CONNECTION FELT COMP. |
| 1 | 554441 | * | * | * | * | * | * | 1 | F EED DRIVING ECCENTRIC CONNECTION FELT |
| 1 | 554465-006 | * | * | * | * | * | * | 1 | F EED R OCK SHAFT DRIVING FRAME OIL WICK (LONG) |
| 1 | 554465-011 | * | * | * | * | * | * | 1 | F EED R OCK SHAFT DRIVING FRAME OIL WICK (SHORT) |
| 1 | 554524 | * | * | * | * | * | * | 1 | F EED R OCK SHAFT DRIVING LINK OIL WICK |
| 1 | 554465-007 | * | * | * | * | * | * | 1 | F EED R OCK SHAFT CRANK PIN OIL WICK |
| 1 | 554465-005 | * | * | * | * | * | * | 1 | N EEDLE BAR R OCK FRAME R OCK SHAFT CRANK OIL WICK |

| QTY | PART NO. | 141A | 141B | 141G | 541A | 541B | 541G | QTY | DESCRIPTION |
|-----|------------|------|------|------|------|------|------|-----|--|
| 1 | 554465-013 | * | * | * | * | * | * | 1 | F EED R OCK SHAFT OIL WICK |
| 1 | 554465-012 | * | * | * | * | * | * | 1 | F EED R OCK SHAFT OIL WICK (RIGHT) |
| 1 | 554467 | * | * | * | * | * | * | 1 | H OOK DRIVING SHAFT OIL TUBE AND WICK |
| 1 | 418604 | * | * | * | * | * | * | 1 | H OOK DRIVING SHAFT OIL TUBE R ETAINER (SMALL) |
| 1 | 544212-051 | * | * | * | * | * | * | 1 | H OOK DRIVING SHAFT OIL TUBE R ETAINER (SMALL) SCREW |
| 1 | 554465-010 | * | * | * | * | * | * | 1 | H OOK DRIVING SHAFT BUSHING (CENTER) OIL WICK |
| 1 | 554468 | * | * | * | * | * | * | 1 | H OOK DRIVING SHAFT BUSHING (FRONT) OIL TUBE COMP. |
| 1 | 554442 | * | * | * | * | * | * | 1 | F EED DRIVING ECCENTRIC CONNECTION FELT BRACKET |
| 1 | 554781 | * | * | * | * | * | * | 1 | F EED DRIVING ECCENTRIC CONNECTION FELT CORD. |

From the library of: Diamond Needle Corp

TENSION



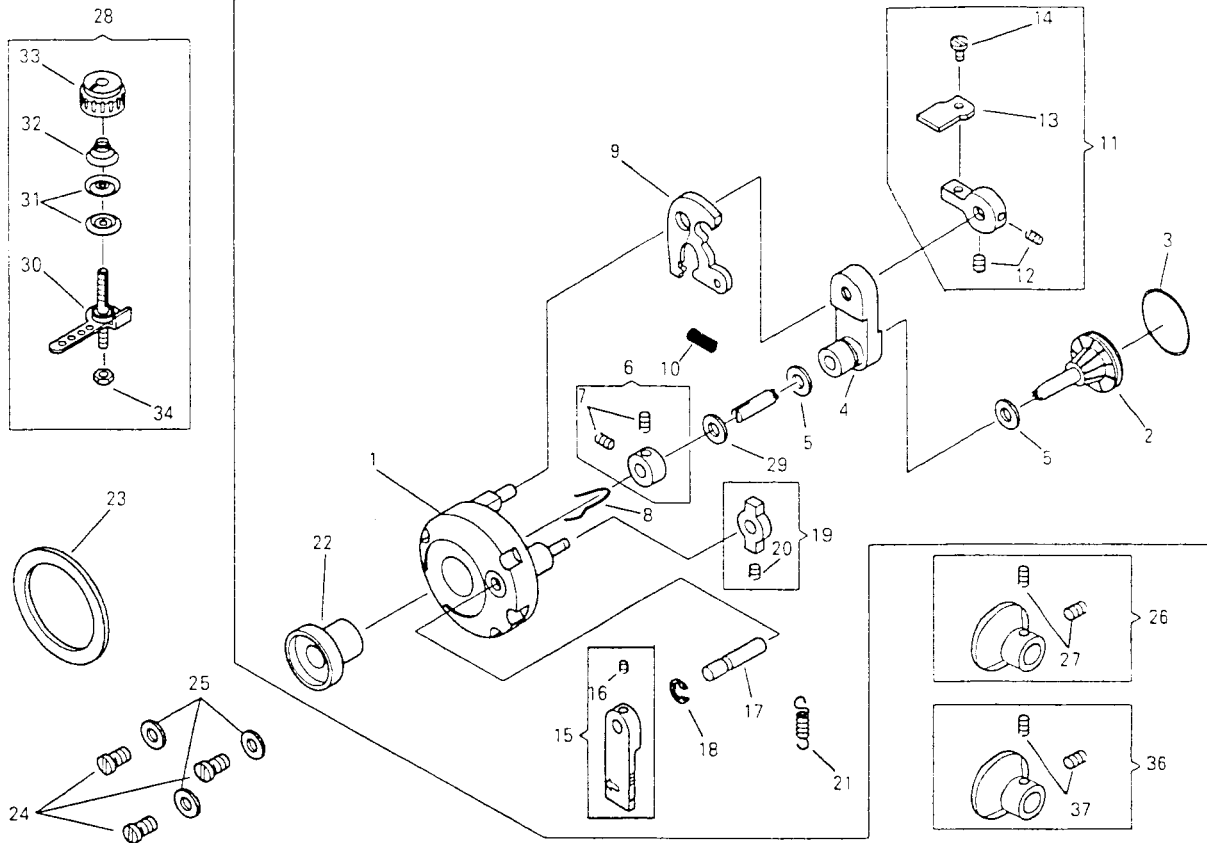
| NO | PART NO. | 141A | 141B | 141G | 541A | 541B | 541G | Y | Q | DESCRIPTION |
|----|------------|------|------|------|------|------|------|---|---|--|
| 1 | 552558 | * | * | * | * | * | * | * | 1 | TENSION BRACKET COMP. |
| 2 | 552559 | * | * | * | * | * | * | * | 1 | TENSION BRACKET BODY COMP. |
| 3 | 2102 | * | * | * | * | * | * | * | 4 | TENSION DISC |
| 4 | 414273 | * | * | * | * | * | * | * | 2 | TENSION RELEASE WASHER |
| 5 | 552836 | * | * | * | * | * | * | * | 2 | TENSION SPRING |
| 6 | 552838 | * | * | * | * | * | * | * | 2 | TENSION REGULATING THUMB NUT |
| 7 | 411154 | * | * | * | * | * | * | * | 2 | TENSION REGULATING THUMB NUT WASHER |
| 8 | 552563-001 | * | * | * | * | * | * | * | 1 | TENSION RELEASE PLUNGER (SHORT) |
| 9 | 552563-003 | * | * | * | * | * | * | * | 1 | TENSION RELEASE PLUNGER (LONG) |
| 10 | 552843 | * | * | * | * | * | * | * | 1 | THREAD CONTROLLER STUD |
| 11 | 552565 | * | * | * | * | * | * | * | 1 | THREAD CONTROLLER SPRING (BACK) |
| 12 | 552942 | * | * | * | * | * | * | * | 1 | THREAD CONTROLLER SPRING (FRONT) |
| 13 | 412202 | * | * | * | * | * | * | * | 2 | THREAD CONTROLLER DISC |
| 14 | 552900 | * | * | * | * | * | * | * | 1 | THREAD CONTROLLER DISC WASHER (LARGE) |
| 15 | 367380 | * | * | * | * | * | * | * | 1 | THREAD CONTROLLER DISC WASHER (SMALL) |
| 16 | 552839 | * | * | * | * | * | * | * | 1 | THREAD CONTROLLER SPRING (FRONT) STOP |
| 17 | 544211-001 | * | * | * | * | * | * | * | 1 | THREAD CONTROLLER SPRING (FRONT) STOP SCREW |
| 18 | 552840 | * | * | * | * | * | * | * | 1 | THREAD CONTROLLER SPRING HOLDER SLEEVE |
| 19 | 544202-002 | * | * | * | * | * | * | * | 2 | THREAD CONTROLLER SPRING HOLDER SLEEVE SCREW |
| 20 | 552841 | * | * | * | * | * | * | * | 1 | THREAD CONTROLLER STUD NUT |
| 21 | 552845 | * | * | * | * | * | * | * | 1 | THREAD CONTROLLER SPRING HOLDER |
| 22 | 544203-001 | * | * | * | * | * | * | * | 1 | THREAD CONTROLLER SPRING HOLDER SCREW |
| 23 | 414770 | * | * | * | * | * | * | * | 1 | THREAD CONTROLLER DISC SCREW |
| 24 | 417124 | * | * | * | * | * | * | * | 1 | TENSION RELEASE PLATE |
| 25 | 412200 | * | * | * | * | * | * | * | 1 | TENSION RELEASE PLATE SPRING |
| 26 | 544343 | * | * | * | * | * | * | * | 2 | TENSION RELEASE PLATE SCREW |

| NO | PART NO. | 141A | 141B | 141G | 541A | 541B | 541G | Y | Q | DESCRIPTION |
|----|------------|------|------|------|------|------|------|---|---|---|
| 27 | 552567 | * | * | * | * | * | * | * | 1 | PRE-TENSION STUD (SHORT) |
| 28 | 552568 | * | * | * | * | * | * | * | 1 | PRE-TENSION STUD (LONG) |
| 29 | 417122 | * | * | * | * | * | * | * | 4 | PRE-TENSION DISC |
| 30 | 417123 | * | * | * | * | * | * | * | 2 | PRE-TENSION SPRING |
| 31 | 414784 | * | * | * | * | * | * | * | 2 | PRE-TENSION THUMB NUT |
| 32 | 414783 | * | * | * | * | * | * | * | 2 | PRE-TENSION STUD LOCK NUT |
| 33 | 549168 | * | * | * | * | * | * | * | 2 | TENSION BRACKET SCREW |
| 34 | 412419 | * | * | * | * | * | * | * | 1 | THREAD CONTROLLER SPRING (BACK) STOP |
| 35 | 545092 | * | * | * | * | * | * | * | 1 | THREAD CONTROLLER SPRING (BACK) STOP SCREW |
| 36 | 543805-003 | * | * | * | * | * | * | * | 1 | THREAD CONTROLLER SPRING (BACK) STOP SCREW WASHER |

From the library of: Diamond Needle Corp

BOBBIN WINDER

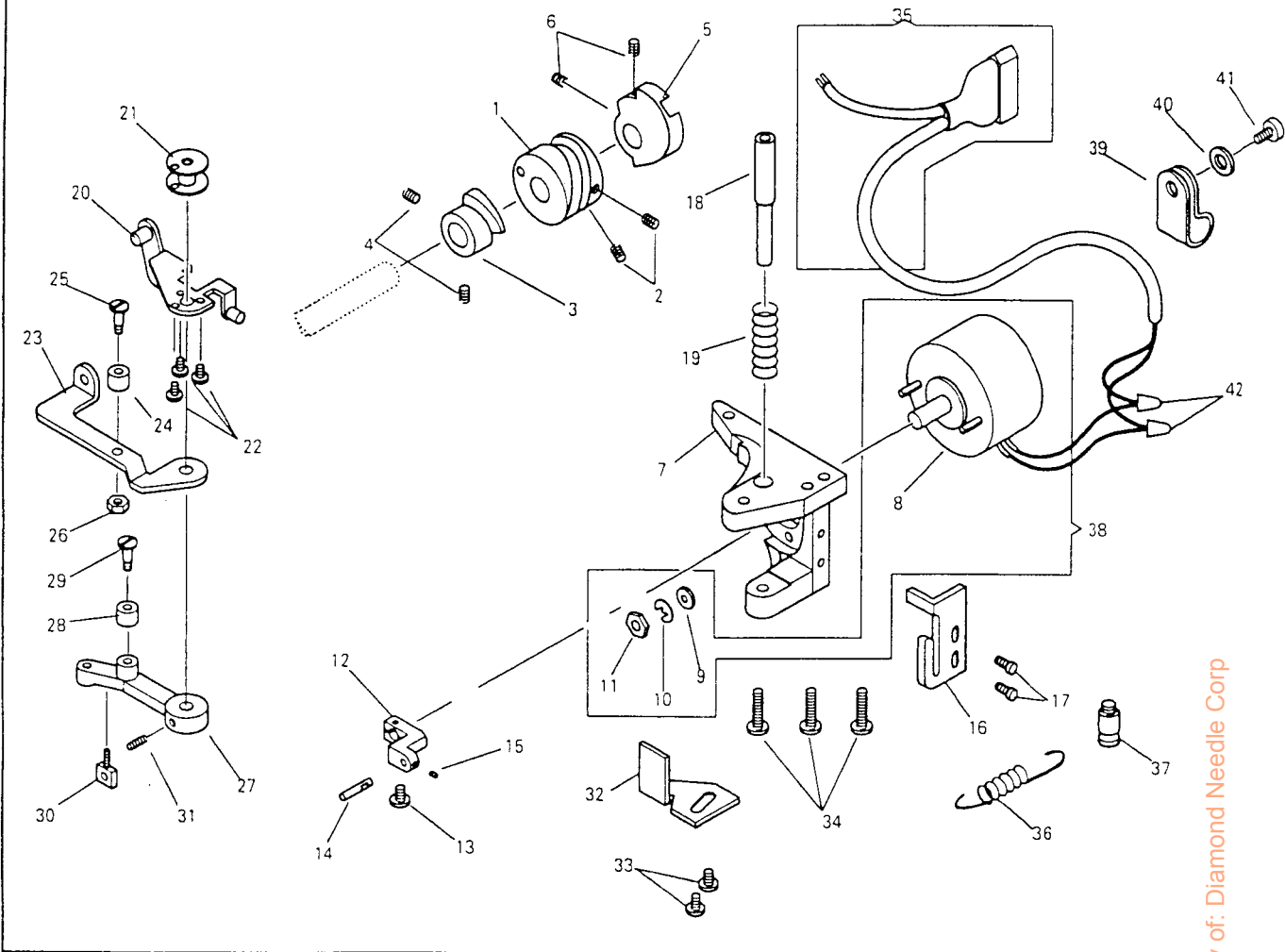
35



| QTY | PART NO. | SIZE | | | | | DESCRIPTION |
|-----|------------|------|------|------|------|------|---|
| | | 141A | 141B | 141G | 541A | 541B | |
| 1 | 552570 | * | * | * | * | * | 2 BOBBIN WINDER (BODY) |
| 2 | 552573 | * | * | * | * | * | 2 BOBBIN WINDER PULLEY |
| 3 | 543871-020 | * | * | * | * | * | 2 BOBBIN WINDER PULLEY RING |
| 4 | 552575 | * | * | * | * | * | 2 BOBBIN WINDER BRACKET |
| 5 | 546844 | * | * | * | * | * | 4 BOBBIN WINDER SPINDLE THRUST WASHER |
| 6 | 282758 | * | * | * | * | * | 2 BOBBIN WINDER SPINDLE STOP COLLAR COMPLETE |
| 7 | 544206-011 | * | * | * | * | * | 4 BOBBIN WINDER SPINDLE STOP COLLAR SET SCREW |
| 8 | 282995 | * | * | * | * | * | 2 BOBBIN WINDER SPINDLE SPRING |
| 9 | 282757 | * | * | * | * | * | 2 BOBBIN WINDER BRACKET ACTUATING PLATE |
| 10 | 282994 | * | * | * | * | * | 2 BOBBIN WINDER BRACKET SPRING |
| 11 | 552576 | * | * | * | * | * | 2 BOBBIN WINDER STOPPER BRACKET COMP. |
| 12 | 544207-013 | * | * | * | * | * | 4 BOBBIN WINDER STOPPER BRACKET SCREW |
| 13 | 552577 | * | * | * | * | * | 2 BOBBIN WINDER STOPPER |
| 14 | 374398-002 | * | * | * | * | * | 2 BOBBIN WINDER STOPPER SCREW |
| 15 | 552578 | * | * | * | * | * | 2 BOBBIN WINDER STOP LATCH COMPLETE |
| 16 | 544208-005 | * | * | * | * | * | 2 BOBBIN WINDER STOP LATCH SET SCREW |
| 17 | 368025 | * | * | * | * | * | 2 BOBBIN WINDER STOP LATCH STUD |
| 18 | 543860-005 | * | * | * | * | * | 2 BOBBIN WINDER STOP LATCH STUD SNAP RING |
| 19 | 368026 | * | * | * | * | * | 2 BOBBIN WINDER REGULATOR COMPLETE |
| 20 | 544208-005 | * | * | * | * | * | 2 BOBBIN WINDER REGULATOR SET SCREW |
| 21 | 544865 | * | * | * | * | * | 2 BOBBIN WINDER SPRING |
| 22 | 282759-451 | * | * | * | * | * | 2 BOBBIN WINDER SPINDLE THREAD GUARD |
| 23 | 554312 | * | * | * | * | * | 2 BOBBIN WINDER PACKING |
| 24 | 544217-001 | * | * | * | * | * | 6 BOBBIN WINDER SCREW |
| 25 | 543803-003 | * | * | * | * | * | 6 BOBBIN WINDER SCREW WASHER |

| QTY | PART NO. | SIZE | | | | | DESCRIPTION |
|-----|------------|------|------|------|------|------|---|
| | | 141A | 141B | 141G | 541A | 541B | |
| 1 | 554409 | * | * | * | * | * | 1 BOBBIN WINDER DRIVING WHEEL (RIGHT) COMPLETE |
| 2 | 544207-012 | * | * | * | * | * | 2 BOBBIN WINDER DRIVING WHEEL (RIGHT) SET SCREW |
| 2 | 552579 | * | * | * | * | * | 2 BOBBIN WINDER TENSION COMPLETE |
| 2 | 543804-005 | * | * | * | * | * | 2 BOBBIN WINDER BRACKET THRUST WASHER |
| 2 | 552580 | * | * | * | * | * | 2 BOBBIN WINDER TENSION STUD COMP. |
| 4 | 547247 | * | * | * | * | * | 4 BOBBIN WINDER TENSION DISC |
| 2 | 547246 | * | * | * | * | * | 2 BOBBIN WINDER TENSION SPRING |
| 2 | 368033 | * | * | * | * | * | 2 BOBBIN WINDER TENSION REGULATING THUMB NUT |
| 2 | 541186 | * | * | * | * | * | 2 BOBBIN WINDER TENSION STUD LOCK NUT |
| 2 | 554669-385 | * | * | * | * | * | 2 BOBBIN WINDER COMP. |
| 2 | 552569 | * | * | * | * | * | 2 BOBBIN WINDER COMP. |
| 1 | 554853 | * | * | * | * | * | 1 BOBBIN WINDER DRIVING WHEEL (LEFT) COMPLETE |
| 2 | 544207-012 | * | * | * | * | * | 2 BOBBIN WINDER DRIVING WHEEL (LEFT) SET SCREW |

THREAD TRIMMER 1

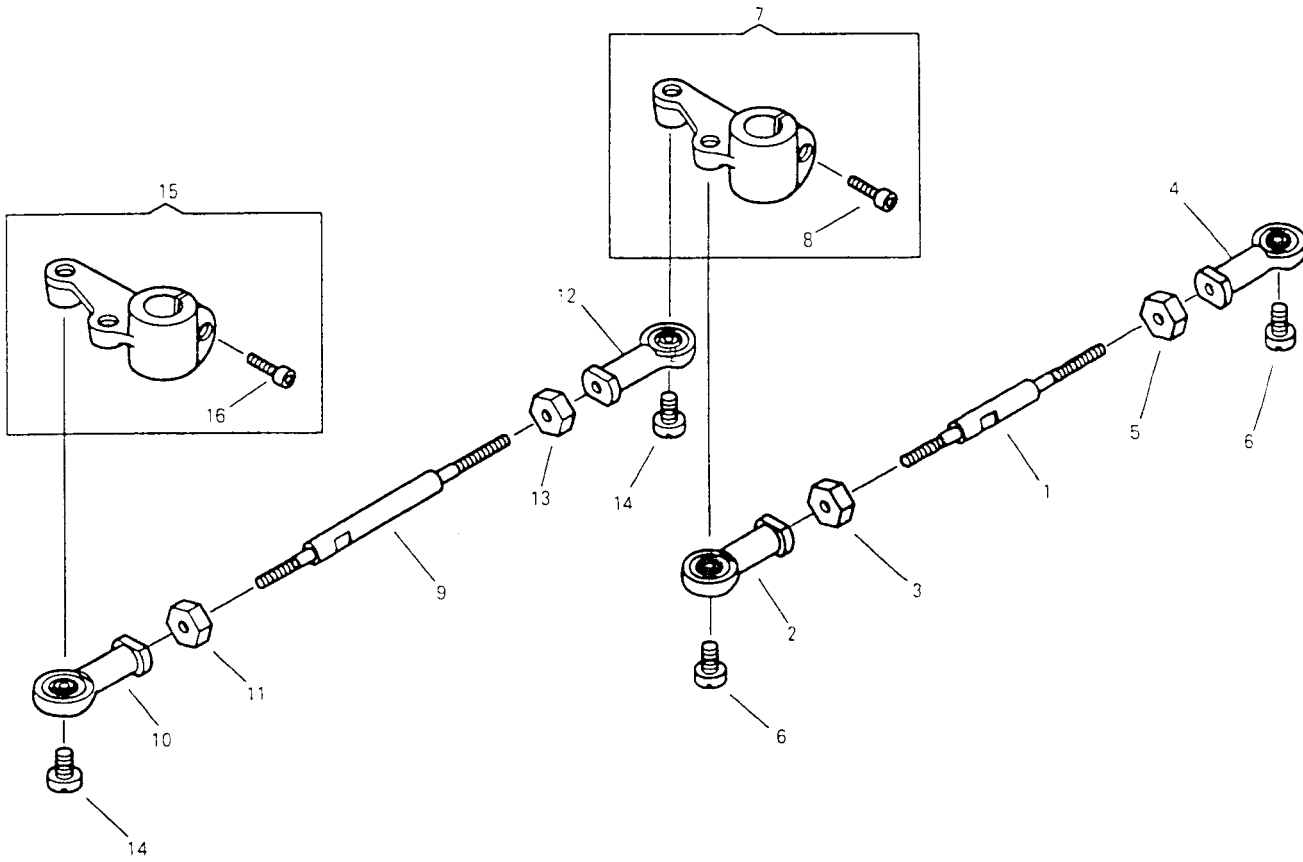


| NO. | PART NO. | 141A | 141B | 141G | 541A | 541B | 541G | Y | Q | DESCRIPTION |
|-----|------------|------|------|------|------|------|------|---|---|---|
| 1 | 281184 | - | * | * | - | * | * | * | 1 | TRIMMER CAM |
| 2 | 374029 | - | * | * | - | * | * | * | 2 | TRIMMER CAM SET SCREW |
| 3 | 281013 | - | * | * | - | * | * | * | 1 | TENSION RELEASING CAM |
| 4 | 504028 | - | * | * | - | * | * | * | 2 | TENSION RELEASING CAM SET SCREW |
| 5 | 281014 | - | * | * | - | * | * | * | 1 | TRIMMER POSITIVE MOTION CAM |
| 6 | 544208-005 | - | * | * | - | * | * | * | 2 | TRIMMER POSITIVE MOTION CAM SET SCREW |
| 7 | 552585 | - | * | * | - | * | * | * | 1 | TRIMMER SOLENOID BRACKET |
| 8 | 369334 | - | * | * | - | * | * | * | 1 | TRIMMER SOLENOID |
| 9 | 543804-003 | - | * | * | - | * | * | * | 2 | TRIMMER SOLENOID WASHER |
| 10 | 543805-003 | - | * | * | - | * | * | * | 2 | TRIMMER SOLENOID SPRING WASHER |
| 11 | 541165-003 | - | * | * | - | * | * | * | 2 | TRIMMER SOLENOID NUT |
| 12 | 552586 | - | * | * | - | * | * | * | 1 | TRIMMER SOLENOID ARM |
| 13 | 545095 | - | * | * | - | * | * | * | 1 | TRIMMER SOLENOID ARM SCREW |
| 14 | 416772 | - | * | * | - | * | * | * | 1 | TRIMMER SOLENOID ARM PIN |
| 15 | 545072 | - | * | * | - | * | * | * | 1 | TRIMMER SOLENOID ARM PIN SCREW |
| 16 | 281020 | - | * | * | - | * | * | * | 1 | TRIMMER SOLENOID ARM STOPPER |
| 17 | 190-850 | - | * | * | - | * | * | * | 2 | TRIMMER SOLENOID ARM STOPPER SCREW |
| 18 | 281021 | - | * | * | - | * | * | * | 1 | TRIMMER LEVER SHAFT |
| 19 | 281096 | - | * | * | - | * | * | * | 1 | TRIMMER LEVER SHAFT SPRING |
| 20 | 281023 | - | * | * | - | * | * | * | 1 | TRIMMER POSITIVE MOTION BRACKET COMPLETE |
| 21 | 416777 | - | * | * | - | * | * | * | 1 | TRIMMER POSITIVE MOTION BRACKET BOSS |
| 22 | 549120 | - | * | * | - | * | * | * | 3 | TRIMMER POSITIVE MOTION BRACKET BOSS SCREW |
| 23 | 552588 | - | * | * | - | * | * | * | 1 | TENSION RELEASE DRIVING LEVER |
| 24 | 416780 | - | * | * | - | * | * | * | 1 | TENSION RELEASING CAM ROLLER |
| 25 | 414773-451 | - | * | * | - | * | * | * | 1 | TENSION RELEASING CAM ROLLER SCREW |
| 26 | 545409 | - | * | * | - | * | * | * | 1 | TENSION RELEASING CAM ROLLER SCREW LOCK NUT |
| 27 | 552590 | - | * | * | - | * | * | * | 1 | TRIMMER LEVER |
| 28 | 416780 | - | * | * | - | * | * | * | 1 | TRIMMER CAM ROLLER |
| 29 | 414773-451 | - | * | * | - | * | * | * | 1 | TRIMMER CAM ROLLER SCREW |
| 30 | 545264 | - | * | * | - | * | * | * | 1 | TRIMMER LEVER RETURN SPRING HOOK |

| NO. | PART NO. | 141A | 141B | 141G | 541A | 541B | 541G | Y | Q | DESCRIPTION |
|-----|------------|------|------|------|------|------|------|---|---|---------------------------------------|
| 31 | 544208-005 | - | * | * | - | * | * | * | 1 | TRIMMER LEVER SET SCREW |
| 32 | 552591 | - | * | * | - | * | * | * | 1 | TRIMMER LEVER STOPPER |
| 33 | 414508 | - | * | * | - | * | * | * | 2 | TRIMMER LEVER STOPPER SCREW |
| 34 | 544352 | - | * | * | - | * | * | * | 3 | TRIMMER SOLENOID BRACKET SCREW |
| 35 | 554469 | - | * | * | - | * | * | * | 1 | TRIMMER BACK TACK SOLENOID CORD COMP. |
| 35 | 554723 | - | * | * | - | * | * | * | 1 | TRIMMER SOLENOID CORD COMP. |
| 36 | 552592 | - | * | * | - | * | * | * | 1 | TRIMMER LEVER RETURN SPRING |
| 37 | 374307 | - | * | * | - | * | * | * | 1 | TRIMMER LEVER RETURN SPRING STUD |
| 38 | 369333 | - | * | * | - | * | * | * | 1 | TRIMMER SOLENOID COMP. |
| 39 | 542766-002 | - | * | * | - | * | * | * | 4 | TRIMMER SOLENOID CORD RETAINER |
| 40 | 543803-002 | - | * | * | - | * | * | * | 4 | TRIMMER SOLENOID CORD WASHER |
| 41 | 504010-452 | - | * | * | - | * | * | * | 4 | TRIMMER SOLENOID CORD SCREW |
| 42 | 417142-001 | - | * | * | - | * | * | * | 2 | TRIMMER SOLENOID WIRE CONNECTOR |

For the library of: Diamond Needle Corp

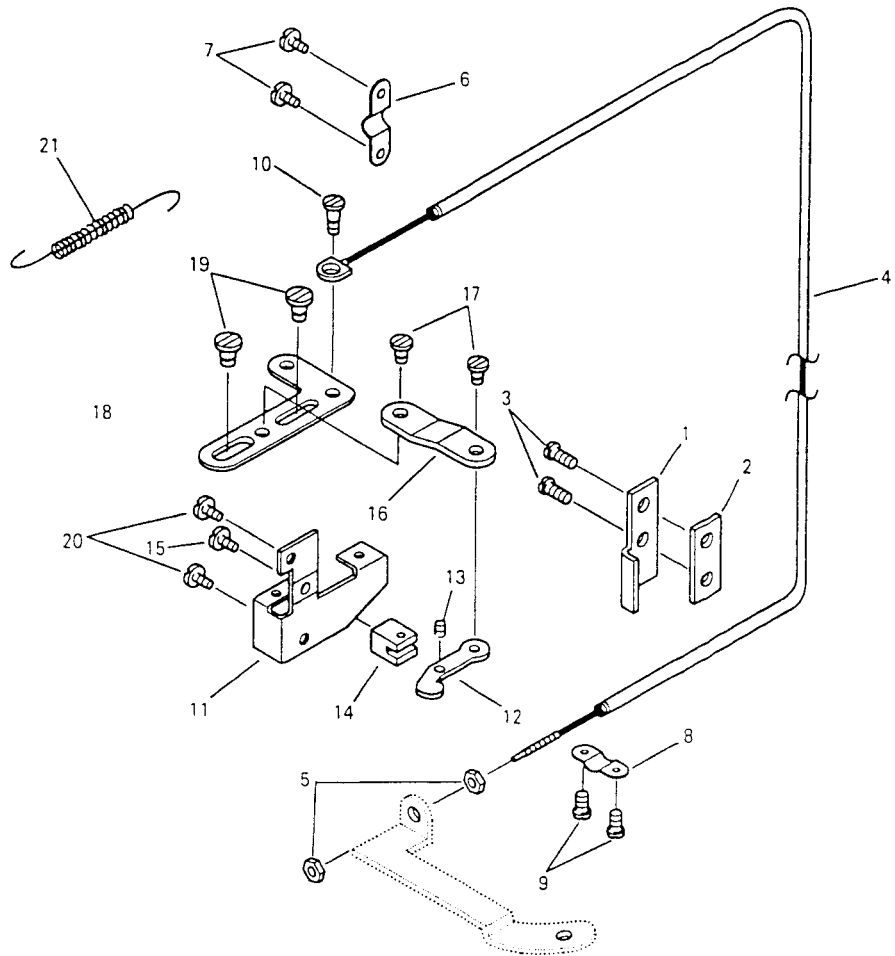
THREAD TRIMMER 2



| QTY | PART NO. | 141A | 141B | 141G | 541A | 541B | 541G | Y | DESCRIPTION |
|-----|------------|------|------|------|------|------|------|---|--|
| | | * | * | * | - | * | * | | |
| 1 | 554654-001 | * | * | * | - | * | * | 1 | TRIMMER ROD FOR DRIVING ARM (RIGHT) |
| 1 | 416781-101 | * | * | * | - | * | * | 1 | TRIMMER ROD END (LEFT) |
| 1 | 414774 | * | * | * | - | * | * | 1 | TRIMMER ROD END (LEFT) NUT |
| 1 | 416781-001 | * | * | * | - | * | * | 1 | TRIMMER ROD END (RIGHT) |
| 1 | 541166-001 | * | * | * | - | * | * | 1 | TRIMMER ROD END (RIGHT) NUT |
| 2 | 414775 | * | * | * | - | * | * | 2 | TRIMMER ROD END SCREW |
| 1 | 281074 | * | * | * | - | * | * | 1 | THREAD PULLER DRIVING ARM (RIGHT) COMPLETE |
| 1 | 374107-004 | * | * | * | - | * | * | 1 | THREAD PULLER DRIVING ARM (RIGHT) SCREW |
| 1 | 416783-007 | * | * | * | - | * | * | 1 | TRIMMER ROD FOR DRIVING ARM (LEFT) |
| 1 | 416781-101 | * | * | * | - | * | * | 1 | TRIMMER ROD END (LEFT) |
| 1 | 414774 | * | * | * | - | * | * | 1 | TRIMMER ROD END (LEFT) NUT |
| 1 | 416781-001 | * | * | * | - | * | * | 1 | TRIMMER ROD END (RIGHT) |
| 1 | 541166-001 | * | * | * | - | * | * | 1 | TRIMMER ROD END (RIGHT) NUT |
| 2 | 414775 | * | * | * | - | * | * | 2 | TRIMMER ROD END SCREW |
| 1 | 281074 | * | * | * | - | * | * | 1 | THREAD PULLER DRIVING ARM (LEFT) COMPLETE |
| 1 | 374107-004 | * | * | * | - | * | * | 1 | THREAD PULLER DRIVING ARM (LEFT) SCREW |

| QTY | PART NO. | 141A | 141B | 141G | 541A | 541B | 541G | Y | DESCRIPTION |
|-----|----------|------|------|------|------|------|------|---|-------------|
| | | * | * | * | - | * | * | | |
| | | | | | | | | | |
| | | | | | | | | | |
| | | | | | | | | | |
| | | | | | | | | | |
| | | | | | | | | | |
| | | | | | | | | | |
| | | | | | | | | | |
| | | | | | | | | | |
| | | | | | | | | | |
| | | | | | | | | | |
| | | | | | | | | | |
| | | | | | | | | | |
| | | | | | | | | | |

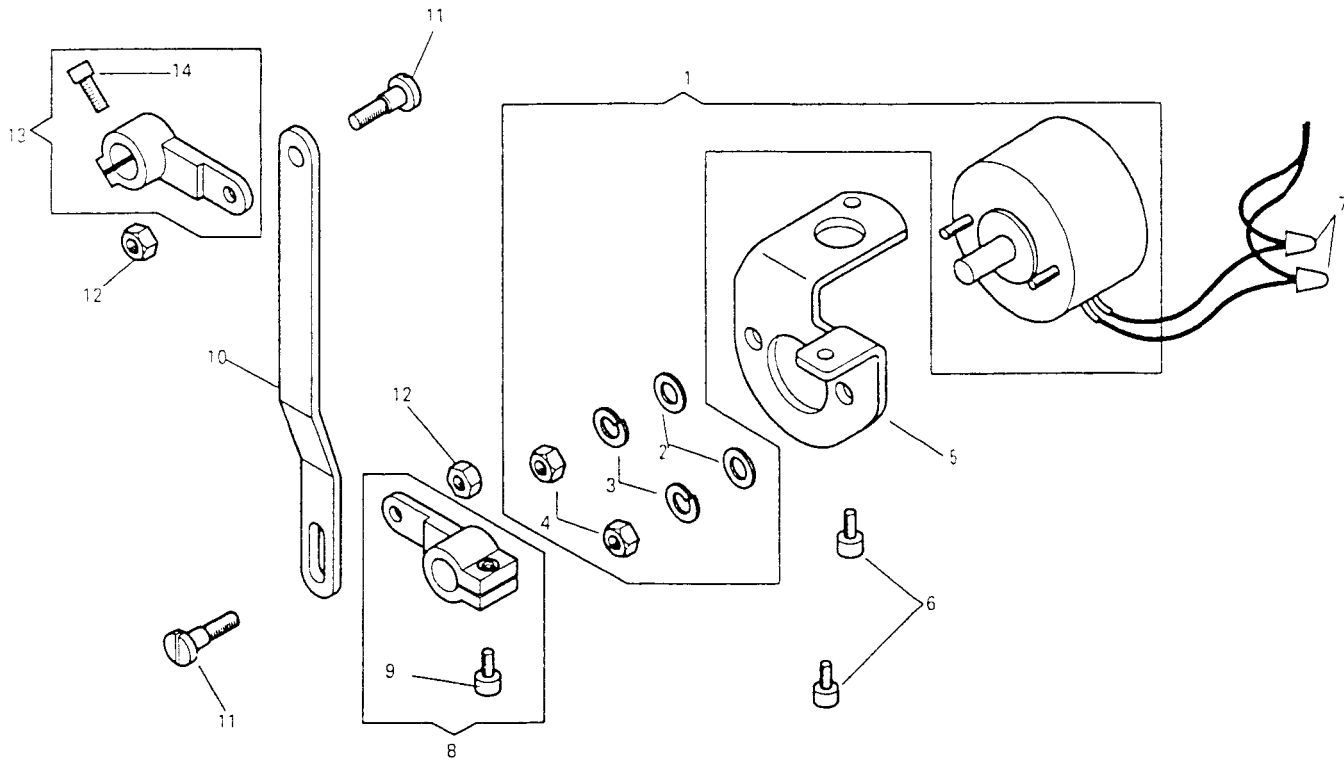
TENSION RELEASING



| NO. | PART NO. | 141A | 141B | 141G | 541A | 541B | 541G | QTY | DESCRIPTION |
|-----|------------|------|------|------|------|------|------|-----|--|
| 1 | 552593 | - | * | * | - | * | * | 1 | TENSION RELEASE DRIVING LEVER STOPPER |
| 2 | 552594 | - | * | * | - | * | * | 1 | TENSION RELEASE DRIVING LEVER STOPPER RETAINING PLATE |
| 3 | 414780 | - | * | * | - | * | * | 2 | TENSION RELEASE DRIVING LEVER STOPPER SCREW |
| 4 | 552595 | - | * | * | - | * | * | 1 | TENSION RELEASE WIRE GUIDE, TUBE COMPLETE |
| 5 | 541166-003 | - | * | * | - | * | * | 2 | TENSION RELEASE WIRE STAKING PIPE LOCK NUT |
| 6 | 543327 | - | * | * | - | * | * | 1 | TENSION RELEASE WIRE GUIDE TUBE CLAMPING PLATE (UPPER) |
| 7 | 504010-452 | - | * | * | - | * | * | 2 | TENSION RELEASE WIRE GUIDE TUBE CLAMPING PLATE (UPPER) SCREW |
| 8 | 543327 | - | * | * | - | * | * | 1 | TENSION RELEASE WIRE GUIDE TUBE CLAMPING PLATE (LOWER) |
| 9 | 504010-452 | - | * | * | - | * | * | 2 | TENSION RELEASE WIRE GUIDE TUBE CLAMPING PLATE (LOWER) SCREW |
| 10 | 544144 | - | * | * | - | * | * | 1 | TENSION RELEASE WIRE SHEAVE SCREW |
| 11 | 552601 | - | * | * | - | * | * | 1 | TENSION RELEASE LEVER BRACKET |
| 12 | 552602 | - | * | * | - | * | * | 1 | TENSION RELEASE LEVER |
| 13 | 552603 | - | * | * | - | * | * | 1 | TENSION RELEASE LEVER PIN |
| 14 | 552604 | - | * | * | - | * | * | 1 | TENSION RELEASE LEVER BLOCK |
| 15 | 544256 | - | * | * | - | * | * | 1 | TENSION RELEASE LEVER BLOCK SCREW |
| 16 | 552605 | - | * | * | - | * | * | 1 | TENSION RELEASE LEVER LINK |
| 17 | 368247 | - | * | * | - | * | * | 2 | TENSION RELEASE LEVER LINK HINGE SCREW |
| 18 | 552606 | - | * | * | - | * | * | 1 | TENSION RELEASE ACTUATING SLIDE PLATE |
| 19 | 368247 | - | * | * | - | * | * | 2 | TENSION RELEASE ACTUATING SLIDE PLATE HINGE SCREW |
| 20 | 544111-452 | - | * | * | - | * | * | 2 | TENSION RELEASE LEVER BRACKET SCREW |
| 21 | 281593 | - | * | * | - | * | * | 1 | TENSION RELEASE ACTUATING SLIDE PLATE SPRING |

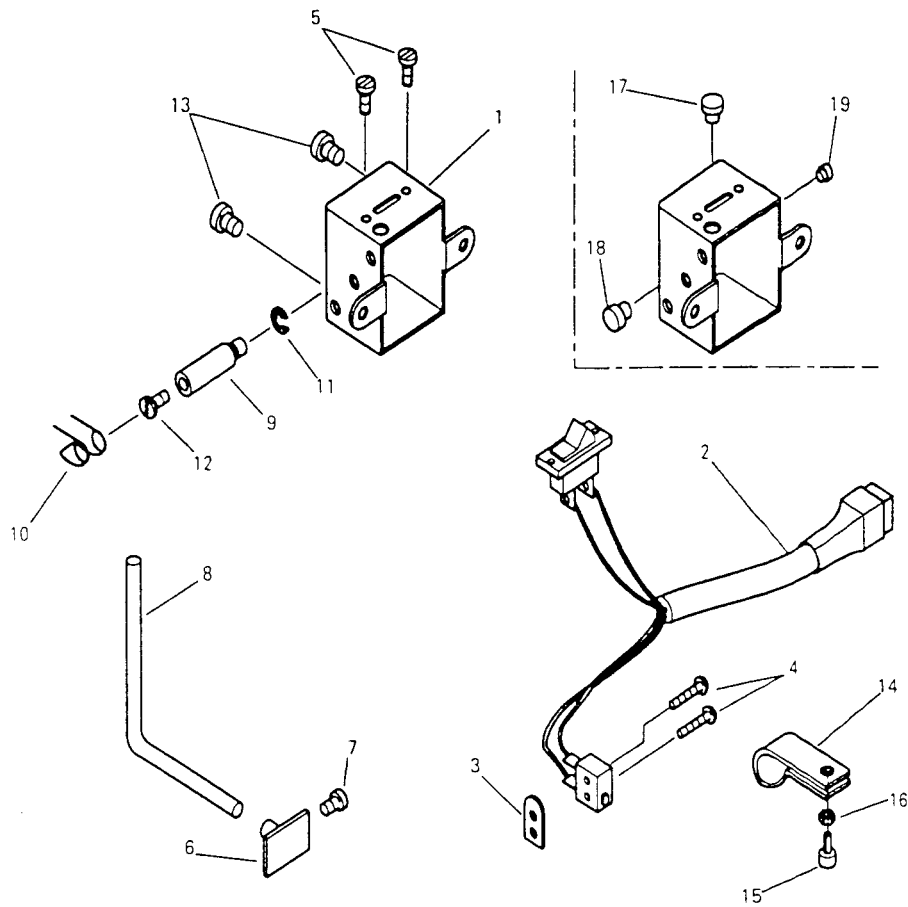
| NO. | PART NO. | 141A | 141B | 141G | 541A | 541B | 541G | QTY | DESCRIPTION |
|-----|----------|------|------|------|------|------|------|-----|-------------|
| | | | | | | | | | |
| | | | | | | | | | |
| | | | | | | | | | |
| | | | | | | | | | |
| | | | | | | | | | |
| | | | | | | | | | |
| | | | | | | | | | |
| | | | | | | | | | |
| | | | | | | | | | |
| | | | | | | | | | |
| | | | | | | | | | |
| | | | | | | | | | |
| | | | | | | | | | |
| | | | | | | | | | |

BACK TACK MECHANISM



| PART NO. | 141A | 141B | 141G | 541A | 541B | 541G | Y | T | D | DESCRIPTION |
|------------|------|------|------|------|------|------|---|---|---|--|
| | | | | | | | | | | |
| 369335 | - | - | - | * | - | - | * | | | 1 BACK TACK SOLENOID COMPLETE |
| 543804-005 | - | - | - | * | - | - | * | | | 2 BACK TACK SOLENOID WASHER |
| 543805-005 | - | - | - | * | - | - | * | | | 2 BACK TACK SOLENOID SPRING WASHER |
| 541167-003 | - | - | - | * | - | - | * | | | 2 BACK TACK SOLENOID NUT |
| 552609 | - | - | - | * | - | - | * | | | 1 BACK TACK SOLENOID BRACKET |
| 544214-002 | - | - | - | * | - | - | * | | | 2 BACK TACK SOLENOID BRACKET SCREW |
| 417142-001 | - | - | - | * | - | - | * | | | 2 BACK TACK SOLENOID WIRE CONNECTOR |
| 552610 | - | - | - | * | - | - | * | | | 1 BACK TACK SOLENOID ARM COMPLETE |
| 549183 | - | - | - | * | - | - | * | | | 1 BACK TACK SOLENOID ARM PINCH SCREW |
| 552612 | - | - | - | * | - | - | * | | | 1 BACK TACK SOLENOID LINK |
| 374546 | - | - | - | * | - | - | * | | | 2 BACK TACK SOLENOID LINK HINGE SCREW |
| 417410 | - | - | - | * | - | - | * | | | 2 BACK TACK SOLENOID LINK HINGE SCREW NUT |
| 552613 | - | - | - | * | - | - | * | | | 1 FEED REVERSE LEVER SHAFT ACTUATING ARM COMPLETE |
| 374107-004 | - | - | - | * | - | - | * | | | 1 FEED REVERSE LEVER SHAFT ACTUATING ARM PINCH SCREW |
| | | | | | | | | | | |
| | | | | | | | | | | |
| | | | | | | | | | | |
| | | | | | | | | | | |

BACK TACK SWITCH

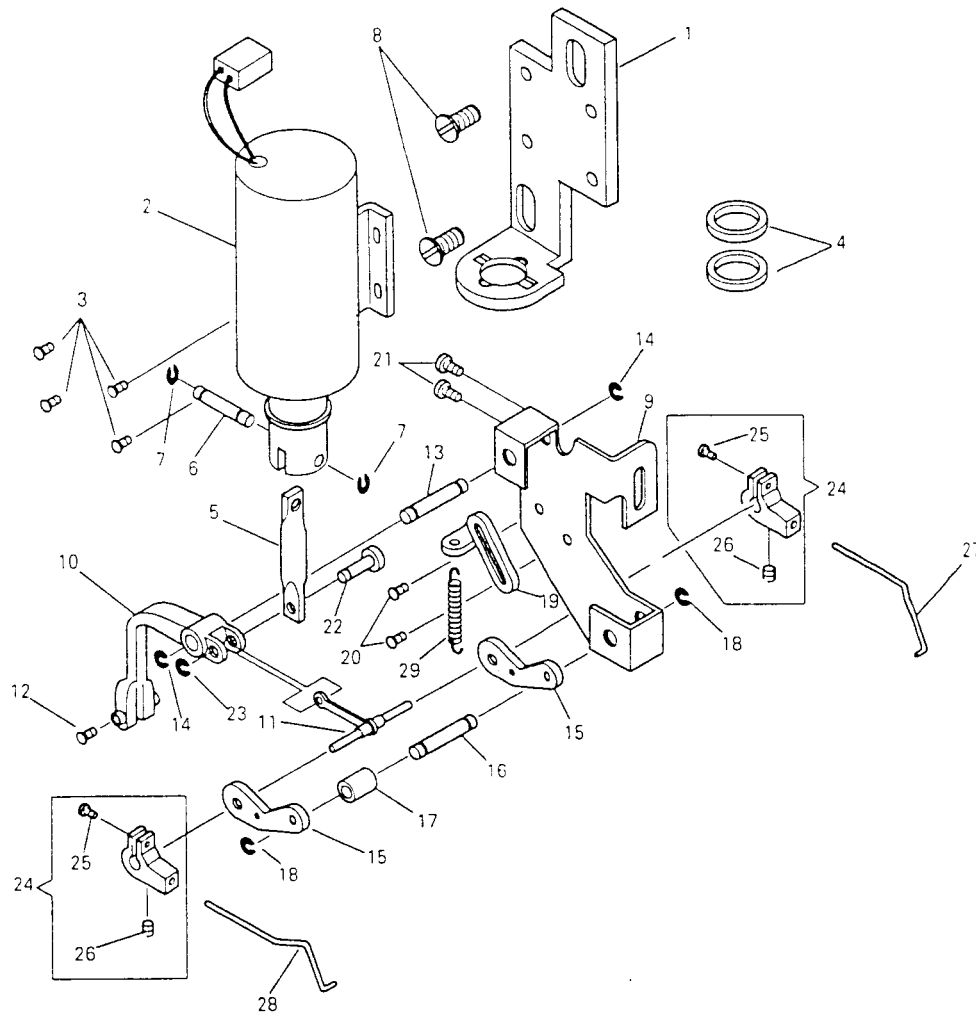


| NO | PART NO. | 141A | 141B | 141G | 541A | 541B | 541G | QTY | DESCRIPTION |
|----|------------|------|------|------|------|------|------|-----|--|
| 1 | 552616 | - | * | * | - | * | * | 1 | WIPER, BACK TACK SWITCH BOX |
| 2 | 419009 | - | * | * | - | * | * | 1 | WIPER, BACK TACK SWITCH CORD, CONNECTOR COMP. |
| 3 | 368467 | - | * | * | - | * | * | 1 | BACK TACK SWITCH PLATE |
| 4 | 544211-056 | - | * | * | - | * | * | 2 | BACK TACK SWITCH PLATE SCREW |
| 5 | 544211-001 | - | * | * | - | * | * | 2 | WIPER SWITCH SCREW |
| 6 | 376146 | - | * | * | - | * | * | 1 | BACK TACK SWITCH LEVER BUTTON |
| 7 | 374110-002 | - | * | * | - | * | * | 1 | BACK TACK SWITCH LEVER BUTTON SCREW |
| 8 | 552618 | - | * | * | - | * | * | 1 | BACK TACK SWITCH LEVER |
| 9 | 375733 | - | * | * | - | * | * | 1 | BACK TACK SWITCH LEVER SHAFT |
| 10 | 375732 | - | * | * | - | * | * | 1 | BACK TACK SWITCH LEVER SPRING |
| 11 | 543801-015 | - | * | * | - | * | * | 1 | BACK TACK SWITCH LEVER SHAFT SNAP RING |
| 12 | 545246-452 | - | * | * | - | * | * | 1 | BACK TACK SWITCH LEVER SCREW |
| 13 | 544217-052 | - | * | * | - | * | * | 2 | WIPER, BACK TACK SWITCH BOX SCREW |
| 14 | 542766-005 | - | * | * | - | * | * | 1 | WIPER, BACK TACK SWITCH CORD CLIP SCREW |
| 15 | 504010-452 | - | * | * | - | * | * | 1 | WIPER, BACK TACK SWITCH CORD CLIP SCREW |
| 16 | 543803-002 | - | * | * | - | * | * | 1 | WIPER, BACK TACK SWITCH CORD CLIP SCREW WASHER |
| 17 | 414245 | - | * | - | - | * | - | 1 | WIPER SWITCH BOX RUBBER PLUG (MIDDLE) |
| 18 | 420255 | - | * | - | - | * | - | 1 | WIPER SWITCH BOX RUBBER PLUG (LARGE) |
| 19 | 418400 | - | * | - | - | * | - | 1 | WIPER SWITCH BOX RUBBER PLUG (SMALL) |

| NO | PART NO. | 141A | 141B | 141G | 541A | 541B | 541G | QTY | DESCRIPTION |
|----|----------|------|------|------|------|------|------|-----|-------------|
| | | | | | | | | | |
| | | | | | | | | | |
| | | | | | | | | | |
| | | | | | | | | | |
| | | | | | | | | | |
| | | | | | | | | | |
| | | | | | | | | | |
| | | | | | | | | | |
| | | | | | | | | | |
| | | | | | | | | | |

From the library of: Diamond Needle Corp

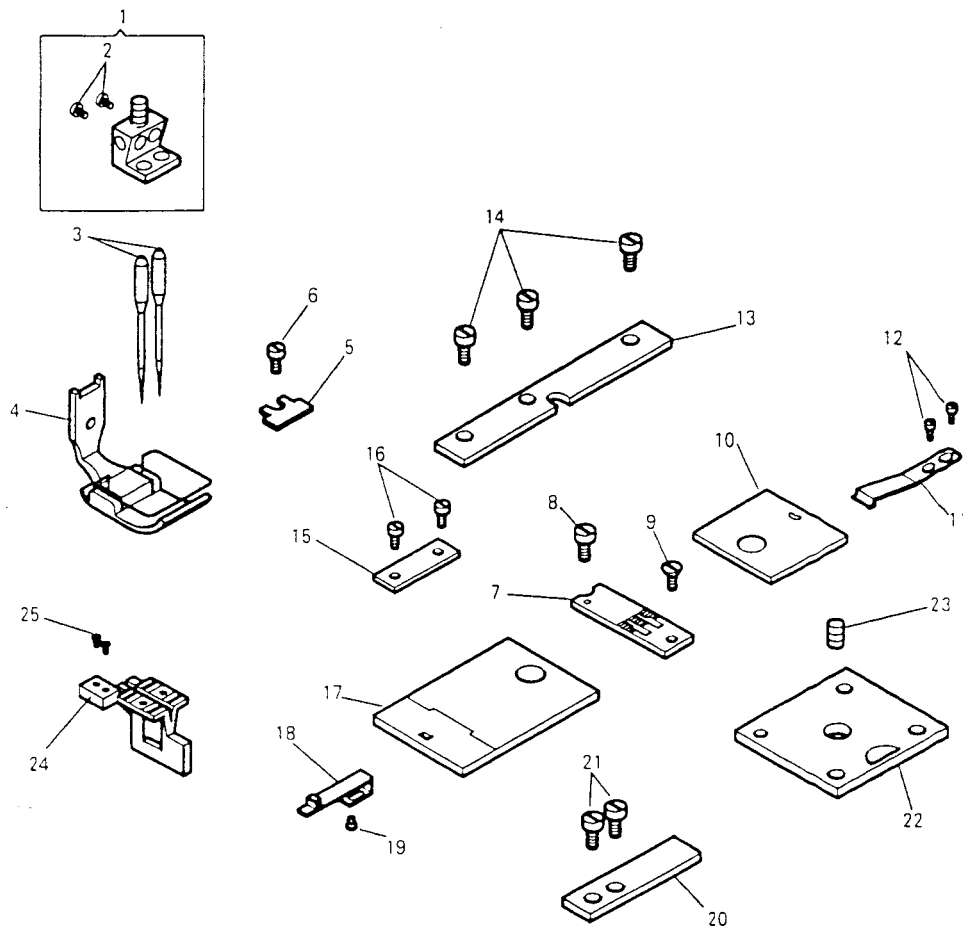
WIPER



From the library of: Diamond Needle Corp

| PART NO. | 141A | 141B | 141G | 541A | 541B | 541G | QTY | DESCRIPTION | NO. | PART NO. | 141A | 141B | 141G | 541A | 541B | 541G | QTY | DESCRIPTION | |
|------------|------|------|------|------|------|------|-----|---|-----|----------|------|------|------|------|------|------|-----|-------------|--|
| 552620 | - | * | * | * | * | * | 1 | WIPER SOLENOID BRACKET | | | | | | | | | | | |
| 369336 | - | * | * | * | * | * | 1 | WIPER SOLENOID COMPLETE | | | | | | | | | | | |
| 544211-001 | - | * | * | * | * | * | 4 | WIPER SOLENOID SCREW | | | | | | | | | | | |
| 552621 | - | * | * | * | * | * | 2 | WIPER SOLENOID RUBBER CUSHION | | | | | | | | | | | |
| 552622 | - | * | * | * | * | * | 1 | WIPER SOLENOID LINK | | | | | | | | | | | |
| 552623 | - | * | * | * | * | * | 1 | WIPER SOLENOID PIN | | | | | | | | | | | |
| 543801-002 | - | * | * | * | * | * | 2 | WIPER SOLENOID PIN RETAINING RING | | | | | | | | | | | |
| 414508 | - | * | * | * | * | * | 2 | WIPER SOLENOID BRACKET SCREW | | | | | | | | | | | |
| 552625 | - | * | * | * | * | * | 1 | WIPER BRACKET | | | | | | | | | | | |
| 552627 | - | * | * | * | * | * | 1 | WIPER ARM | | | | | | | | | | | |
| 552628 | - | * | * | * | * | * | 1 | WIPER ARM LINK COMP. | | | | | | | | | | | |
| 552631 | - | * | * | * | * | * | 1 | WIPER ARM LINK HING PIN | | | | | | | | | | | |
| 552632 | - | * | * | * | * | * | 1 | WIPER ARM STUD | | | | | | | | | | | |
| 543801-006 | - | * | * | * | * | * | 2 | WIPER ARM STUD RETAINING RING | | | | | | | | | | | |
| 552633 | - | * | * | * | * | * | 2 | WIPER LEVER | | | | | | | | | | | |
| 552632 | - | * | * | * | * | * | 1 | WIPER LEVER STUD | | | | | | | | | | | |
| 552635 | - | * | * | * | * | * | 1 | WIPER LEVER STUD COLLAR | | | | | | | | | | | |
| 543801-006 | - | * | * | * | * | * | 2 | WIPER LEVER STUD RETAINING RING | | | | | | | | | | | |
| 552637 | - | * | * | * | * | * | 1 | WIPER LEVER RETURN SPRING BRACKET | | | | | | | | | | | |
| 544212-051 | - | * | * | * | * | * | 2 | WIPER LEVER RETURN SPRING BRACKET SCREW | | | | | | | | | | | |
| 414508 | - | * | * | * | * | * | 2 | WIPER BRACKET SCREW | | | | | | | | | | | |
| 552638 | - | * | * | * | * | * | 1 | WIPER SOLENOID LINK PIN | | | | | | | | | | | |
| 543860-003 | - | * | * | * | * | * | 1 | WIPER SOLENOID LINK PIN RETAINING RING | | | | | | | | | | | |
| 552639 | - | * | * | * | * | * | 2 | WIPER HOLDER COMPLETE | | | | | | | | | | | |
| 414749-001 | - | * | * | * | * | * | 2 | WIPER HOLDER SCREW | | | | | | | | | | | |
| 544206-011 | - | * | * | * | * | * | 2 | WIPER SET SCREW | | | | | | | | | | | |
| 552811 | - | * | * | * | * | * | 1 | WIPER (RIGHT) | | | | | | | | | | | |
| 552641 | - | * | * | * | * | * | 1 | WIPER (LEFT) | | | | | | | | | | | |
| 544665 | - | * | * | * | * | * | 1 | WIPER LEVER RETURN SPRING | | | | | | | | | | | |

GAUGE PARTS

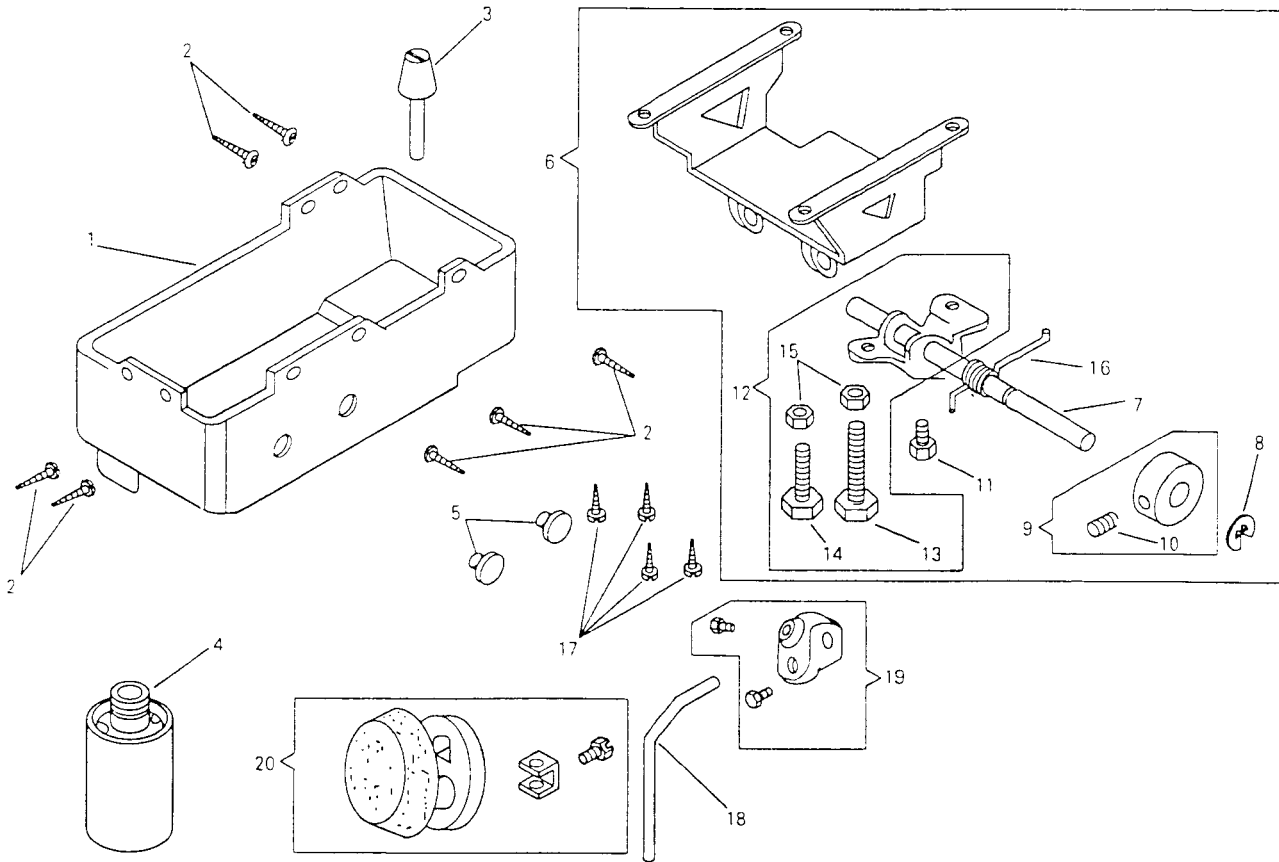


| NO. | PART NO. | 141A | 141B | 141G | 541A | 541B | 541G | T-D | Y | DESCRIPTION |
|-----|------------|------|------|------|------|------|------|-----|---|---|
| 1 | 412040-008 | * | * | * | * | * | * | | 1 | NEEDLE HOLDER COMP (1/8", 3.2mm) |
| 1 | 412040-012 | * | * | * | * | * | * | | 1 | NEEDLE HOLDER COMP (3/16", 4.8mm) (STANDARD) |
| 1 | 412040-016 | * | * | * | * | * | * | | 1 | NEEDLE HOLDER COMP (1/4", 6.4mm) (STANDARD) |
| 1 | 412040-020 | * | * | * | * | * | * | | 1 | NEEDLE HOLDER COMP (5/16", 7.9mm) |
| 1 | 412040-024 | * | * | * | * | * | * | | 1 | NEEDLE HOLDER COMP (3/8", 9.5mm) |
| 1 | 412040-100 | * | * | * | * | * | * | | 1 | NEEDLE HOLDER COMP (1", 25.4mm) |
| 2 | 374456 | * | * | * | * | * | * | | 2 | NEEDLE SET SCREW |
| 3 | N19550-114 | * | * | * | * | * | * | | 2 | NEEDLE (CAT. NO. 1955-01 #14) |
| 3 | N19550-121 | - | - | - | - | - | - | | 2 | NEEDLE (CAT. NO. 1955-01 #21) |
| 4 | 554670-008 | * | * | * | * | * | * | | 1 | PRESSER FOOT COMP (1/8", 3.2mm) |
| 4 | 554670-012 | * | * | * | * | * | * | | 1 | PRESSER FOOT COMP (3/16", 4.8mm) (STANDARD) |
| 4 | 554670-016 | * | * | * | * | * | * | | 1 | PRESSER FOOT COMP (1/4", 6.4mm) (STANDARD) |
| 4 | 554670-020 | * | * | * | * | * | * | | 1 | PRESSER FOOT COMP (5/16", 7.9mm) |
| 4 | 554670-024 | * | * | * | * | * | * | | 1 | PRESSER FOOT COMP (3/8", 9.5mm) |
| 4 | 554670-100 | * | * | * | * | * | * | | 1 | PRESSER FOOT COMP (1", 25.4mm) |
| 5 | 416604 | - | * | * | * | * | * | | 1 | THREAD GAUGE (1/8", 3/16", 1/4", 5/16", 3/8", 1/2") |
| 6 | 544450 | - | * | * | * | * | * | | 1 | THREAD GUARD SCREW |
| 7 | 412039-008 | * | - | - | - | - | - | | 1 | THROAT PLATE (1/8", 3.2mm) |
| 7 | 412039-012 | * | - | - | - | - | - | | 1 | THROAT PLATE (3/16", 4.8mm) (STANDARD) |
| 7 | 412039-016 | * | - | - | - | - | - | | 1 | THROAT PLATE (1/4", 6.4mm) (STANDARD) |
| 7 | 412039-020 | * | - | - | - | - | - | | 1 | THROAT PLATE (5/16", 7.9mm) |
| 7 | 412039-024 | * | - | - | - | - | - | | 1 | THROAT PLATE (3/8", 9.5mm) |
| 7 | 412039-100 | * | - | - | - | - | - | | 1 | THROAT PLATE (1", 25.4mm) |
| 7 | 281068-008 | - | * | * | * | * | * | | 1 | THROAT PLATE (1/8", 3.2mm) |
| 7 | 281068-012 | - | * | * | * | * | * | | 1 | THROAT PLATE (3/16", 4.8mm) (STANDARD) |
| 7 | 281068-016 | - | * | * | * | * | * | | 1 | THROAT PLATE (1/4", 6.4mm) (STANDARD) |
| 7 | 281068-020 | - | * | * | * | * | * | | 1 | THROAT PLATE (5/16", 7.9mm) |
| 7 | 281068-024 | - | * | * | * | * | * | | 1 | THROAT PLATE (3/8", 9.5mm) |
| 7 | 281068-100 | - | * | * | * | * | * | | 1 | THROAT PLATE (1", 25.4mm) |

| NO. | PART NO. | 141A | 141B | 141G | 541A | 541B | 541G | T-D | Y | DESCRIPTION |
|-----|------------|------|------|------|------|------|------|-----|---|---|
| 8 | 544382-452 | * | * | * | * | * | * | | 1 | THROAT PLATE CLAMP SCREW |
| 9 | 691-845 | * | * | * | * | * | * | | 1 | THROAT PLATE SCREW |
| 10 | 552814 | * | * | * | * | * | * | | 1 | BED SLIDE (RIGHT) (1/8", 3/16", 1/4", 5/16", 3/8") |
| 10 | 552816 | * | * | * | * | * | * | | 1 | BED SLIDE (RIGHT) (1") |
| 11 | 552419 | * | * | * | * | * | * | | 1 | BED SLIDE (RIGHT) SPRING PLATE |
| 12 | 544269 | * | * | * | * | * | * | | 2 | BED SLIDE (RIGHT) SPRING PLATE SCREW |
| 13 | 554453 | - | * | * | * | * | * | | 1 | BED COVER PLATE (RIGHT) |
| 14 | 545137 | - | * | * | * | * | * | | 3 | BED COVER PLATE (RIGHT) SCREW |
| 15 | 554651 | * | - | - | - | - | - | | 1 | BED COVER PLATE |
| 16 | 414659 | * | - | - | - | - | - | | 2 | BED COVER PLATE SCREW |
| 17 | 554615 | * | * | * | * | * | * | | 1 | BED SLIDE (LEFT) (1/8", 3/16", 1/4", 5/16", 3/8", 1/2") |
| 18 | 554666 | * | * | * | * | * | * | | 1 | BED SLIDE (LEFT) SPRING PLATE |
| 19 | 544419 | * | * | * | * | * | * | | 1 | BED SLIDE (LEFT) SPRING PLATE SCREW |
| 20 | 281069 | - | * | * | * | * | * | | 1 | BED COVER PLATE (LEFT) |
| 21 | 545137 | - | * | * | * | * | * | | 2 | BED COVER PLATE (LEFT) SCREW |
| 22 | 416756-452 | * | - | - | - | - | - | | 1 | ATTACHMENT SLIDE PLATE |
| 22 | 281072 | - | * | * | * | * | * | | 1 | ATTACHMENT SLIDE PLATE |
| 23 | 544389 | * | * | * | * | * | * | | 1 | ATTACHMENT SLIDE PLATE LOCK SCREW |
| 24 | 412266-008 | * | - | - | - | - | - | | 1 | FEED DOG (1/8", 3.2mm) |
| 24 | 412253-012 | * | - | - | - | - | - | | 1 | FEED DOG (3/16", 4.8mm) (STANDARD) |
| 24 | 412254-016 | * | - | - | - | - | - | | 1 | FEED DOG (1/4", 6.4mm) (STANDARD) |
| 24 | 412254-020 | * | - | - | - | - | - | | 1 | FEED DOG (5/16", 7.9mm) |
| 24 | 412254-024 | * | - | - | - | - | - | | 1 | FEED DOG (3/8", 9.5mm) |
| 24 | 412255-100 | * | - | - | - | - | - | | 1 | FEED DOG (1", 25.4mm) |
| 24 | 281191-008 | - | * | * | * | * | * | | 1 | FEED DOG (1/8", 3.2mm) |
| 24 | 281192-012 | - | * | * | * | * | * | | 1 | FEED DOG (3/16", 4.8mm) (STANDARD) |
| 24 | 281193-016 | - | * | * | * | * | * | | 1 | FEED DOG (1/4", 6.4mm) (STANDARD) |
| 24 | 281193-020 | - | * | * | * | * | * | | 1 | FEED DOG (5/16", 7.9mm) |
| 24 | 281193-024 | - | * | * | * | * | * | | 1 | FEED DOG (3/8", 9.5mm) |
| 24 | 281195-100 | - | * | * | * | * | * | | 1 | FEED DOG (1", 25.4mm) |
| 25 | 544399 | * | * | * | * | * | * | | 2 | FEED DOG SCREW |

From the library of: Diamond Needle Corp

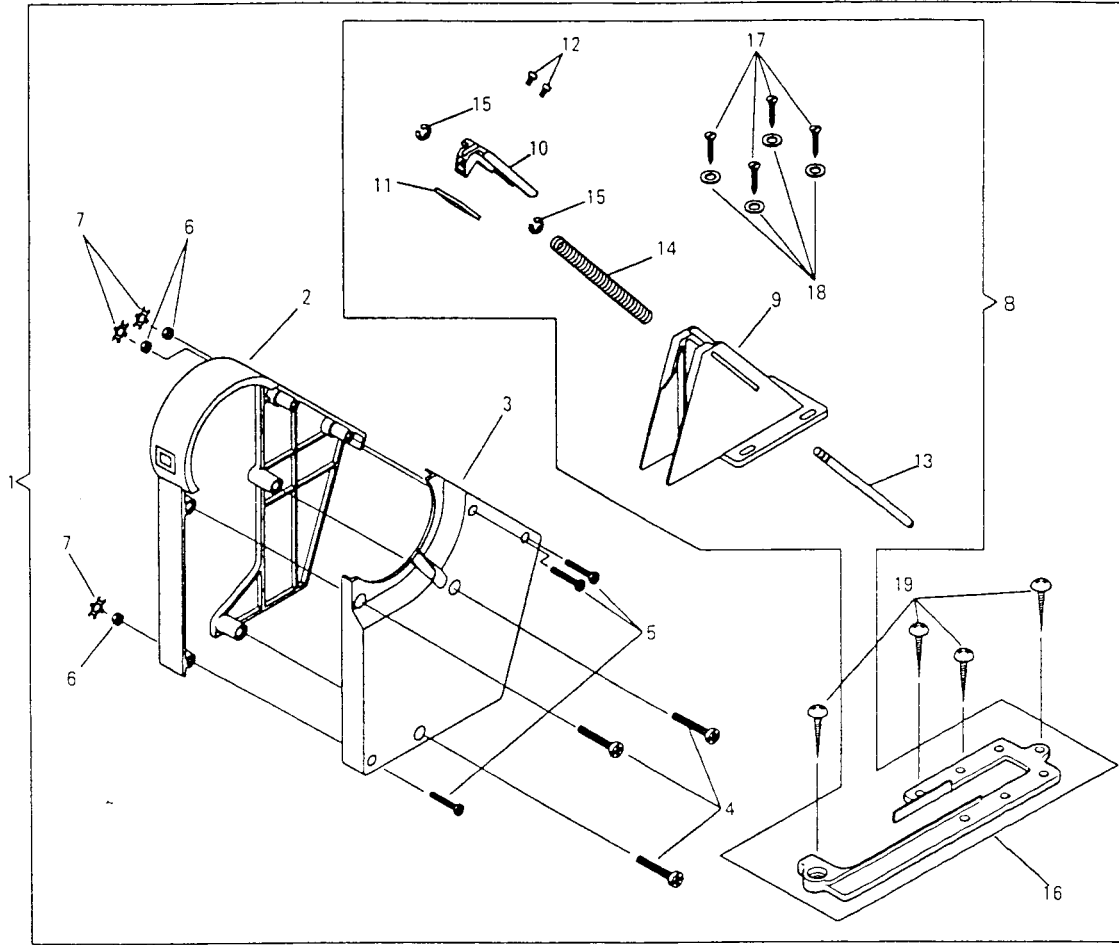
ACCESSORIES AND ATTACHMENTS 1



| PART NO. | 141A | 141B | 141G | 541A | 541B | 541G | QTY | DESCRIPTION |
|------------|------|------|------|------|------|------|-----|---|
| 552647 | * | * | * | * | * | * | 1 | DRIP PAN |
| 350708 | * | * | * | * | * | * | 7 | DRIP PAN NAIL |
| 552648 | * | * | * | * | * | * | 1 | KNEE LIFTER PLUNGER COMP. |
| 167448 | * | * | * | * | * | * | 1 | DRIP PAN DRAIN JAR |
| 544886-451 | * | * | * | * | * | * | 2 | DRIP PAN RUBBER PLUG |
| 552875 | * | * | * | * | * | * | 1 | KNEE LIFTER ROCK SHAFT BRACKET COMP. |
| 552644 | * | * | * | * | * | * | 1 | KNEE LIFTER ROCK SHAFT |
| 543801-011 | * | * | * | * | * | * | 1 | KNEE LIFTER ROCK SHAFT RETAINING RING |
| 540633 | * | * | * | * | * | * | 1 | KNEE LIFTER ROCK SHAFT COLLAR |
| 504134 | * | * | * | * | * | * | 1 | KNEE LIFTER ROCK SHAFT COLLAR SET SCREW |
| 544499-003 | * | * | * | * | * | * | 1 | KNEE LIFTER ROCK SHAFT LIFTING ARM SCREW |
| 552645 | * | * | * | * | * | * | 1 | KNEE LIFTER ROCK SHAFT LIFTING ARM COMP. |
| 544499-008 | * | * | * | * | * | * | 1 | KNEE LIFTER ROCK SHAFT LIFTING ARM STOP SCREW (LONG) |
| 544499-006 | * | * | * | * | * | * | 1 | KNEE LIFTER ROCK SHAFT LIFTING ARM STOP SCREW (SMALL) |
| 541167-001 | * | * | * | * | * | * | 2 | KNEE LIFTER ROCK SHAFT LIFTING ARM STOP SCREW NUT |
| 552646 | * | * | * | * | * | * | 1 | KNEE LIFTER ROCK SHAFT LIFTING ARM SPRING |
| 549296 | * | * | * | * | * | * | 4 | KNEE LIFTER ROCK SHAFT BRACKET SCREW |
| 544895 | * | * | * | * | * | * | 1 | KNEE LIFTER ROCK SHAFT HUB COMP. |
| 545918 | * | * | * | * | * | * | 1 | KNEE LIFTER KNEE PLATE COMP. |
| 414115 | * | * | * | * | * | * | 1 | KNEE LIFTER KNEE PLATE COMP. |

| NO. | PART NO. | 141A | 141B | 141G | 541A | 541B | 541G | QTY | DESCRIPTION |
|-----|----------|------|------|------|------|------|------|-----|-------------|
| | | | | | | | | | |
| | | | | | | | | | |
| | | | | | | | | | |
| | | | | | | | | | |
| | | | | | | | | | |
| | | | | | | | | | |
| | | | | | | | | | |
| | | | | | | | | | |
| | | | | | | | | | |
| | | | | | | | | | |

ACCESSORIES AND ATTACHMENTS 2

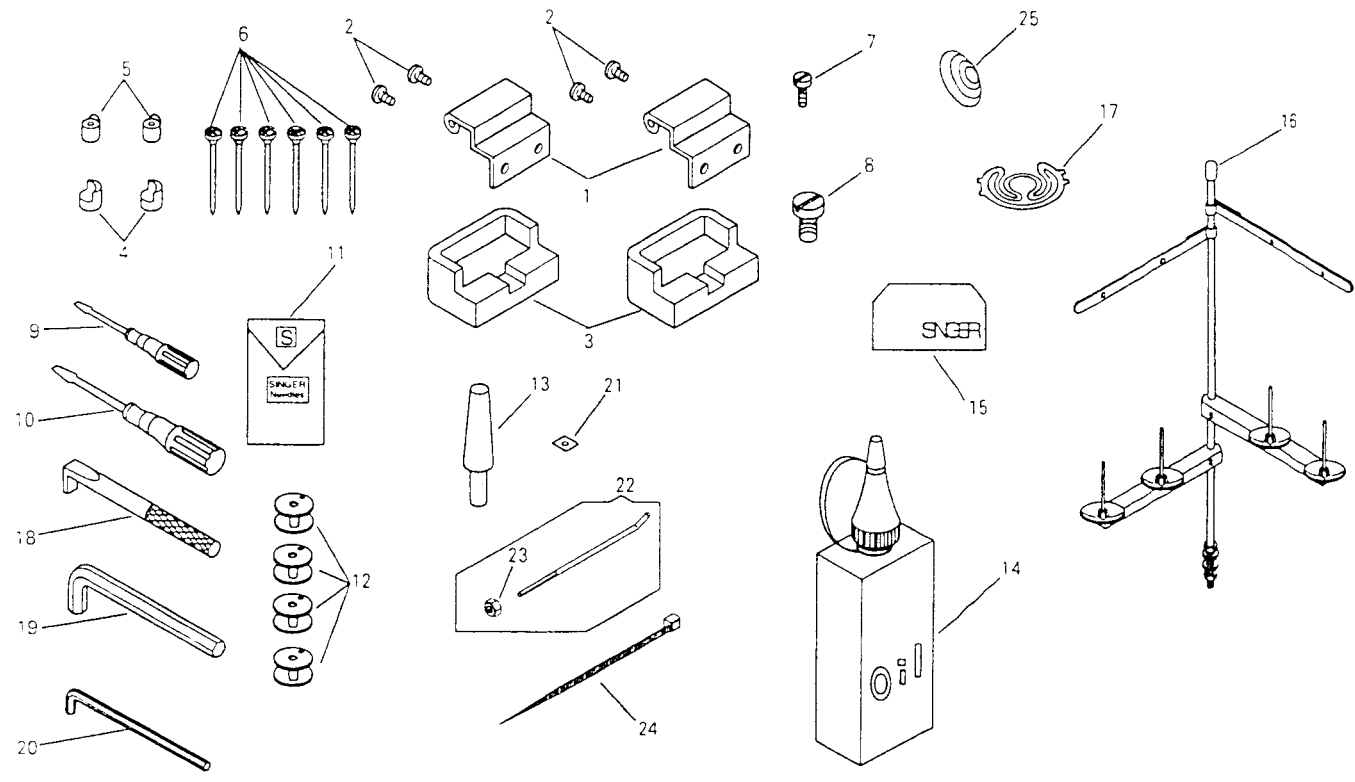


| NO | PART NO. | 141A | 141B | 141G | 541A | 541B | 541G | T | Q | DESCRIPTION |
|----|------------|------|------|------|------|------|------|---|---|--------------------------------------|
| 1 | 552643-383 | * | * | * | * | * | * | 1 | | BELT GUARD COMP. |
| 2 | 550163-451 | * | * | * | * | * | * | 1 | | BELT GUARD (LEFT) |
| 3 | 550164-451 | * | * | * | * | * | * | 1 | | BELT GUARD (RIGHT) |
| 4 | 544213-058 | * | * | * | * | * | * | 3 | | BELT GUARD SCREW |
| 5 | 544212-007 | * | * | * | * | * | * | 3 | | BELT GUARD SCREW |
| 6 | 541165-001 | * | * | * | * | * | * | 3 | | BELT GUARD SCREW NUT |
| 7 | 543880-004 | * | * | * | * | * | * | 3 | | BELT GUARD SCREW NUT RING |
| 8 | 552822-383 | * | * | * | * | * | * | 1 | | BELT GUARD (LOWER) COMP. |
| 9 | 550166-451 | * | * | * | * | * | * | 1 | | BELT GUARD (LOWER) |
| 10 | 552820-383 | * | * | * | * | * | * | 1 | | BELT GUARD SLIDE |
| 11 | 552821 | * | * | * | * | * | * | 1 | | BELT GUARD SLIDE PLATE |
| 12 | 544211-053 | * | * | * | * | * | * | 2 | | BELT GUARD SLIDE SCREW |
| 13 | 550169 | * | * | * | * | * | * | 1 | | BELT GUARD SLIDE SHAFT |
| 14 | 368279 | * | * | * | * | * | * | 1 | | BELT GUARD SLIDE SPRING |
| 15 | 408913 | * | * | * | * | * | * | 2 | | BELT GUARD SLIDE SHAFT SNAP RING |
| 16 | 552819-383 | * | * | * | * | * | * | 1 | | BELT GUARD (LOWER) SPACER |
| 17 | 412697-002 | * | * | * | * | * | * | 4 | | BELT GUARD (LOWER) WOOD SCREW |
| 18 | 543804-003 | * | * | * | * | * | * | 4 | | BELT GUARD (LOWER) WOOD SCREW WASHER |
| 19 | 549398 | * | * | * | * | * | * | 4 | | BELT GUARD (LOWER) SPACER WOOD SCREW |

| NO | PART NO. | 141A | 141B | 141G | 541A | 541B | 541G | T | Q | DESCRIPTION |
|----|----------|------|------|------|------|------|------|---|---|-------------|
| | | | | | | | | | | |
| | | | | | | | | | | |
| | | | | | | | | | | |
| | | | | | | | | | | |
| | | | | | | | | | | |
| | | | | | | | | | | |
| | | | | | | | | | | |
| | | | | | | | | | | |
| | | | | | | | | | | |
| | | | | | | | | | | |

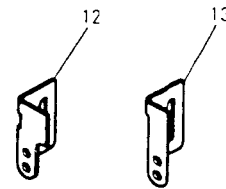
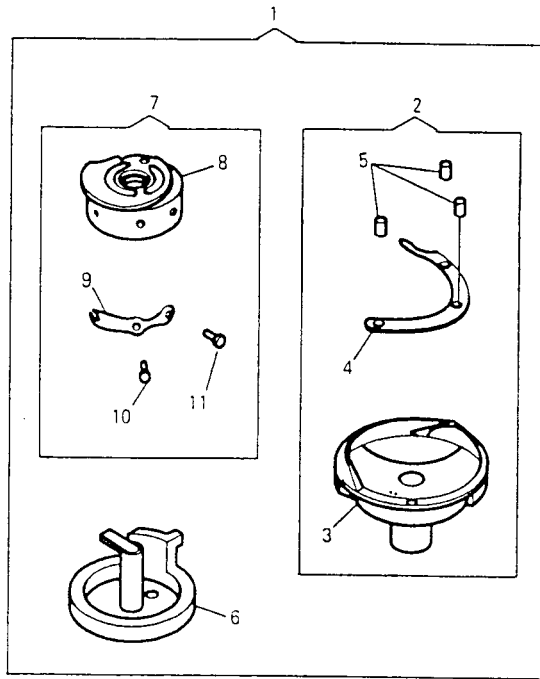
From the library of: Diamond Needle Corp

ACCESSORIES AND ATTACHMENTS 3



| PART NO. | 141A | 141B | 141G | 541A | 541B | 541G | QTY | DESCRIPTION |
|------------|------|------|------|------|------|------|-----|----------------------------------|
| 412212 | * | * | * | * | * | * | 2 | MACHINE HINGE CONNECTION |
| 544381 | * | * | * | * | * | * | 4 | MACHINE HINGE CONNECTION SCREW |
| 540523 | * | * | * | * | * | * | 2 | MACHINE HINGE CONNECTION CUSHION |
| 410570 | * | * | * | * | * | * | 2 | MACHINE REST (FRONT) |
| 410571 | * | * | * | * | * | * | 2 | MACHINE REST (BACK) |
| 546920-002 | * | * | * | * | * | * | 6 | NAIL |
| 545295 | * | * | * | * | * | * | 1 | ATTACHMENT SCREW (SMALL) |
| 544388 | * | * | * | * | * | * | 1 | ATTACHMENT SCREW (LARGE) |
| 541514 | * | * | * | * | * | * | 1 | SCREW DRIVER (SMALL) |
| 548701 | * | * | * | * | * | * | 1 | SCREW DRIVER (LONG) |
| N19550-114 | * | * | * | * | * | * | 5 | NEEDLE (CAT.NO.1955-01 #14) |
| N19550-121 | * | * | * | * | * | * | 5 | NEEDLE (CAT.NO.1955-01 #21) |
| 282762 | * | * | * | * | * | * | 4 | BOBBIN |
| 282763 | - | - | - | * | * | * | 4 | BOBBIN |
| 282764 | - | - | - | * | * | * | 4 | BOBBIN |
| 411313 | * | * | * | * | * | * | 1 | MACHINE REST PIN |
| 412181 | * | * | * | * | * | * | 1 | OILER (250CC, C-TYPE) |
| 414407 | * | * | * | * | * | * | 1 | MACHINE COVER |
| 554471-453 | * | * | * | * | * | * | 1 | THREAD UNWINDER COMP. |
| 417195 | * | * | * | * | * | * | 2 | ANTI SPILL SPRING |
| 417269 | * | * | * | * | * | * | 2 | ANTI SPILL SPRING |
| 368444 | * | * | * | * | * | * | 1 | SCREW DRIVER |
| 543066-001 | * | * | * | * | * | * | 1 | WRENCH (FOR M4) |
| 418441-001 | * | * | * | * | * | * | 1 | WRENCH (FOR M3) |
| 548228 | * | * | * | * | * | * | 2 | TRAPPER ADJUSTING WASHER |
| 281199 | * | * | * | * | * | * | 1 | SENSOR RETAINER COMP. |
| 541196 | * | * | * | * | * | * | 1 | SENSOR RETAINER LOCK NUT |
| 540899 | * | * | * | * | * | * | 1 | CORD RETAINER |
| 554741 | * | * | * | * | * | * | 2 | TENSION SPRING |

PARTS AVAILABLE AT EXTRA CHARGE



| NO. | PART NO. | 141A | 141B | 141G | 541A | 541B | 541G | Y | Q | DESCRIPTION |
|-----|----------|------|------|------|------|------|------|---|---|---|
| | | * | * | * | * | * | * | | | |
| 1 | 554605 | * | * | * | * | * | * | 1 | | HOOK AND BOBBIN CASE COMP. |
| 1 | 554610 | * | * | * | * | * | * | 1 | | HOOK AND BOBBIN CASE COMP. |
| 2 | 554606 | * | * | * | * | * | * | 1 | | HOOK COMP. |
| 2 | 554611 | * | * | * | * | * | * | 1 | | HOOK COMP. |
| 3 | 554607 | * | * | * | * | * | * | 1 | | HOOK (BODY) |
| 3 | 554612 | * | * | * | * | * | * | 1 | | HOOK (BODY) |
| 4 | 281135 | * | * | * | * | * | * | 1 | | HOOK GIB |
| 4 | 412311 | * | * | * | * | * | * | 1 | | HOOK GIB |
| 5 | 201253 | * | * | * | * | * | * | 2 | | HOOK GIB SCREW |
| 5 | 500520 | * | * | * | * | * | * | 3 | | HOOK GIB SCREW |
| 6 | 281138 | * | * | * | * | * | * | 1 | | BOBBIN CASE COMP. |
| 6 | 281148 | * | * | * | * | * | * | 1 | | BOBBIN CASE COMP. |
| 7 | 552878 | * | * | * | * | * | * | 1 | | BOBBIN CASE CAP COMP. |
| 7 | 554613 | * | * | * | * | * | * | 1 | | BOBBIN CASE CAP COMP. |
| 8 | 552879 | * | * | * | * | * | * | 1 | | BOBBIN CASE CAP |
| 8 | 554614 | * | * | * | * | * | * | 1 | | BOBBIN CASE CAP |
| 9 | 281143 | * | * | * | * | * | * | 1 | | BOBBIN CASE CAP TENSION SPRING |
| 9 | 281149 | * | * | * | * | * | * | 1 | | BOBBIN CASE CAP TENSION SPRING |
| 10 | 200984 | * | * | * | * | * | * | 1 | | BOBBIN CASE CAP TENSION SPRING REGULATING SCREW |
| 10 | 500519 | * | * | * | * | * | * | 1 | | BOBBIN CASE CAP TENSION SPRING REGULATING SCREW |
| 11 | 200594 | * | * | * | * | * | * | 1 | | BOBBIN CASE TENSION SPRING SCREW |
| 11 | 500518 | * | * | * | * | * | * | 1 | | BOBBIN CASE TENSION SPRING SCREW |
| 12 | 554681 | * | * | * | * | * | * | 1 | | ARM THREAD GUIDE |
| 13 | 554082 | * | * | * | * | * | * | 1 | | ARM THREAD GUIDE |

| NO. | PART NO. | 141A | 141B | 141G | 541A | 541B | 541G | Y | Q | DESCRIPTION |
|-----|----------|------|------|------|------|------|------|---|---|-------------|
| | | | | | | | | | | |
| | | | | | | | | | | |
| | | | | | | | | | | |
| | | | | | | | | | | |
| | | | | | | | | | | |
| | | | | | | | | | | |
| | | | | | | | | | | |
| | | | | | | | | | | |
| | | | | | | | | | | |
| | | | | | | | | | | |

From the library of: Diamond Needle Corp